



WIZARD
— RETAIL & TRADING



STORE
DECORATION
&
SHELVING
SYSTEMS

 www.wizardretailsolutions.com



RETAIL & TRADING



15 Years

Experience



30+

Country



100+

Number of Projects



300.000 m²

Projects

Wizard Retail operates in Kartal, Istanbul with its office, using the latest technology required by the industry in the product of Market Equipment.

Serving the strong players in the retail and fuel industry. Wizard Retail is raising the bar of success day by day with its 15-year experience and finalized over a hundred projects in thirty countries all around the world.

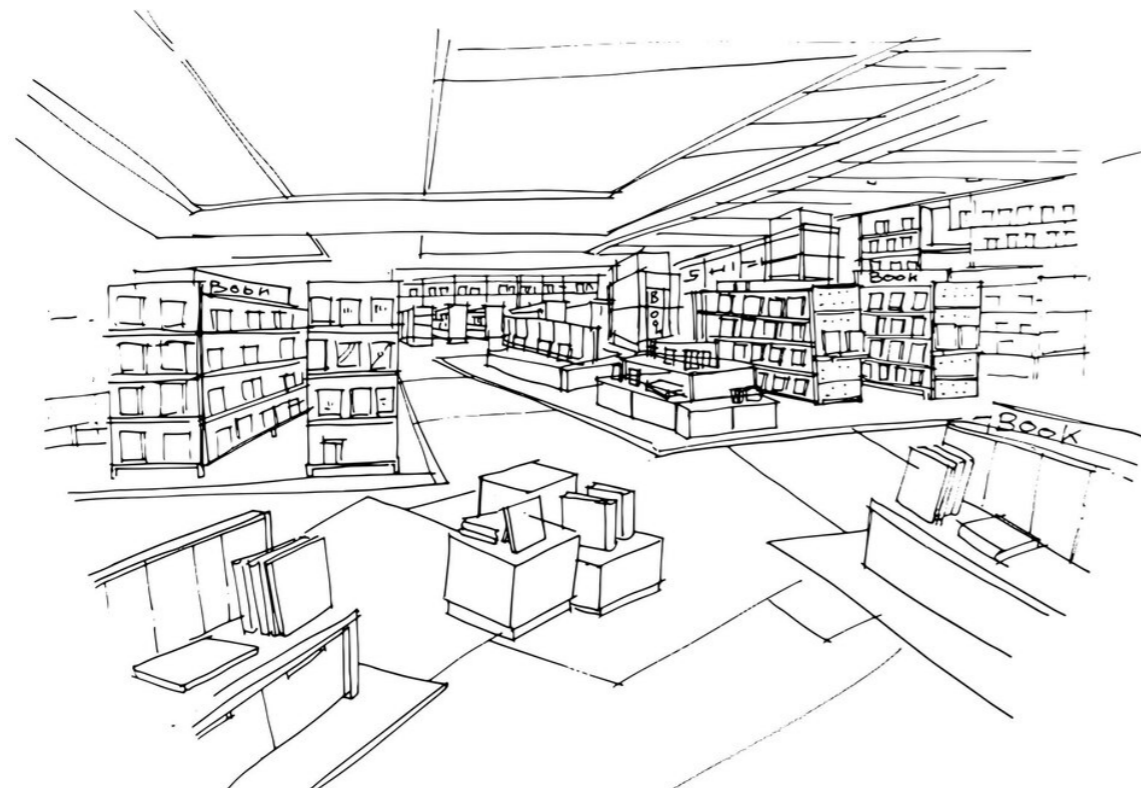
We can produce all the requirements of Store equipment like Decorative Market Shelves, Metal shelves, industrial warehouse Storage Systems, Market Interiors, Reception desks, Check-out counters, Cash registers and Display Stands as standard.

We are at your side for all sales, production, and logistic points from the hypermarket to the supermarket, from the factories to the logistics warehouse, and from the boutique pharmacy to the electronics markets with a custom-made production structure that can be shaped.



WIZARD

**PROVIDING SOLUTIONS FOR
ANY_KIND OF RETAILING,
WIZARD REALIZES YOUR
STORE WITH THE RIGHT
LAYOUT, BACKED UP BY A WIDE
RANGE OF EQUIPMENT AND
ACCESSORIES**



You can review our catalog in two sections.
The first section demonstrates what Wizard Retail can do for you by providing samples of the stores & warehouses realized.

The second section presents Wizard Retail's equipment portfolio which is used in realizing the store projects.
You may find all the technical and visual information about these products.

**DISCOVER OUR PRODUCT RANGE FOR
ADDITIONAL VALUE IN YOUR BUSINESS**

01A - STORES

01B - STORAGE

02 - SHELF SYSTEMS

03 - GROCERY&BAKERY DISPLAYS

04 - DISPLAY BASKETS

05 - DISPLAY ACCESSORIES

06 - HANDLING EQUIPMENT

07 - COMPLEMENTARY EQUIPMENT



01A

STORES

Providing solutions for every kind of retailing, Wizard Retail realizes your store with the right layout, backed up by a wide range of equipment and accessories. Our expertise and talent will help you transform your projects into innovative and above all, effective solutions for your customers

STORES

DISCOVER OUR PRODUCT RANGE FOR
ADDITIONAL VALUE IN YOUR BUSINESS



One of the most important parameters is the clear view when you design the supermarket. It helps customers feel comfortable and leads them to spend more time at shopping.

SUPER MARKETS



Within Wizard Retail's wide range of products, you would easily find the types of equipment that meet the changing customer expectations and combine aesthetics for practical use. Moreover, while running your project, we manage all the project phases; from design to installation.

Supermarkets are retail stores with an area of usually up to 1.000 m². In terms of the sales performance of a supermarket, the basic issue would be the layout design of the store. The right equipment usage and the right layout design will increase the sales performance of your store and positively affect your turnover.



STORES

DISCOVER OUR PRODUCT RANGE FOR
ADDITIONAL VALUE IN YOUR BUSINESS



The shelf design of a discount market affects the total income of the store directly due to the product range that will be served.

DISCOUNT MARKETS



As Wizard Retail, we strive to become an important part of this dynamic process with efficient and relatively low-cost equipment options we provide, which are designed specifically for the discount store concept. With our expertise, combined with our wide and fast supply-chain operations, we add value to retailers by realizing their store opening processes (where speed is vital) just on time.

The usage of additional types of equipment like Wire connectors & Fixing parts directly affects product awareness which helps to increase the total income of a store. The usage of these types of equipment also helps to create a tidy and smooth view of shelving that leads customers to feel comfortable at the store. Its benefits are more useful than its cost when you consider the whole project. The depreciation will be shorter than you consider.



STORES

DISCOVER OUR PRODUCT RANGE FOR
ADDITIONAL VALUE IN YOUR BUSINESS



The DIY stores should be designed to create an efficient sale zone in order to increase the customers's awareness.

DIY STORES



Wizard Retail designs special display types of equipment for DIY stores in order to face an increasing and innovative consumer demand based on the desire to create modern and practical living spaces. Wizard Retail also offers a special product for retail investors with its portfolio of stores with a "Soft DIY" concept, serving in a smaller space and becoming increasingly widespread in the retail industry.

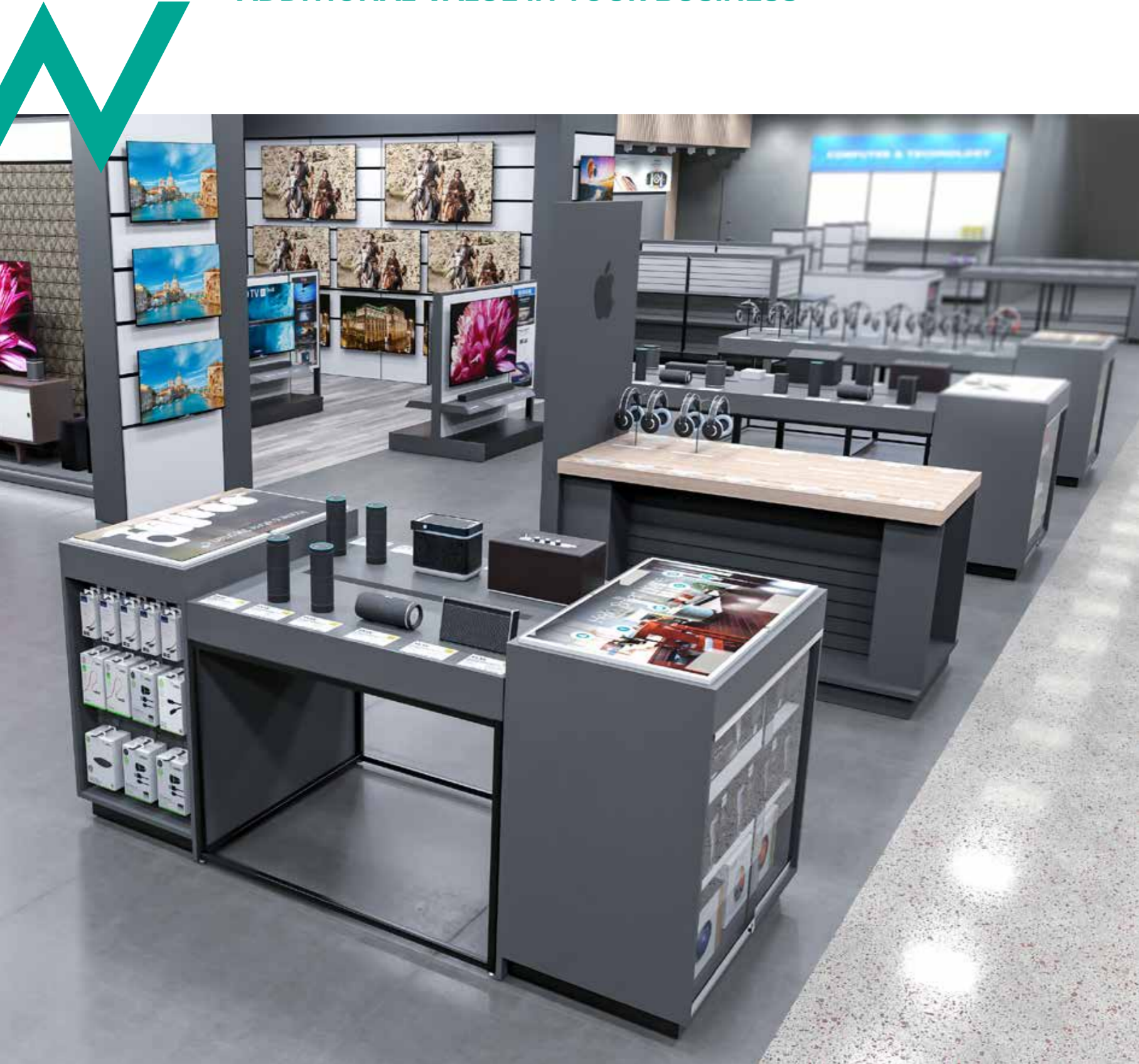
The worldwide increase in population and urbanization leads to an increase in construction and decoration needs. In this manner, DIY stores are perfect point-of-purchase spots for modern consumers.

This concept allows consumers to get a wide variety of products in one location. From construction materials to hobby supplies or decorative home supplies, a very diverse group of products have been selling in DIY stores so the types of equipment to display these goods should be specific to the product and durable.



STORES

DISCOVER OUR PRODUCT RANGE FOR
ADDITIONAL VALUE IN YOUR BUSINESS



The Electronic store designs should be simple and plain to increase product awareness in order to lead customers to shop.

ELECTRONIC STORES



Wizard Retail brings innovative digital solutions to life with specific designs while carrying out different concept implementations for GSM operator' stores, electronic markets, mobile devices stores, consumer electronics stores and household appliances stores. We aim to forward retail investors to a more privileged level in competition with our stylish and custom designs specific to the brand or product group.

Electronic stores are constantly changing and developing based on the momentum of technological developments. The High and vibrant demands that come from consumers have been pushed electronics stores to grow spatially and create special sales concepts. We create specific projects for your product range and brands where your products will stand out by combining our unique designs with innovative digital solutions.



STORES

DISCOVER OUR PRODUCT RANGE FOR
ADDITIONAL VALUE IN YOUR BUSINESS



Bookstores or stationery stores that draw high attention from children and teens have recently increased their product variety by offering different products that are closely related to this target consumer group. As an example, tech products and accessories are now frequently seen on the shelves of these stores.

STATIONERY&TOYS STORES



The design of books, stationery and toy stores requires a combination of many different materials such as metal, wood, and plexiglass. As Wizard Retail, we offer solutions for all equipment needs of these stores, giving full service at every stage from project to assembly.

Book/stationery and toy stores have a special atmosphere which is frequently visited by children and teenagers. A colorful and lively store concept is required to stimulate active perceptions of this consumer group.

It is necessary to keep the customer perception at a high level, using equipment with different colors and designs in every section of these stores.



STORES

DISCOVER OUR PRODUCT RANGE FOR
ADDITIONAL VALUE IN YOUR BUSINESS



Boutique stores offer the latest trend products with their experience and a sophisticated atmosphere to their customers. Each brand has a unique design. Each brand uses display products specially designed for its brand, bespoke store designs with special color combinations and brand-reflecting details.

CONCEPT STORES



Wizard Retail has been managing all processes of equipment and accessories specially designed for brand chain stores from production to assembly. We offer 3D concept designs to retail investors and brands with our experienced designers.

Dressing is a necessity as well as a phenomenon that appeals to the human soul. Consumers are always attracted by the “new” and the “different”, which leads them to follow fashion and trends.

The concepts and designs of boutique stores vary according to the target customers’ age, gender, style, purchasing power and social profile. The material and color selection of the display equipment usage in-store decoration is vital. Likewise, the correct lighting design should be applied in the store, in harmony with the store concept.



STORES

DISCOVER OUR PRODUCT RANGE FOR
ADDITIONAL VALUE IN YOUR BUSINESS



The color and material of the equipment which is used in the display of shoes and bags is very important. The display unit should have harmony in its color, coating and the used material in order to create a contrast with the product to be displayed and all items should complement each other. In shoe and bag stores, product-focused lighting has to be preferred instead of ambient lighting.

SHOE & BAG STORES



We use display methods to increase the consumers's focus on the product In our store designs so it helps to reveal the consumers' buying impulse behavior.

We select/design the color, coating and materials to be used based on the concept. Our target is clear: help store investors stand out of the crowd in competition.

Shoes and bags are complementary elements of clothing. Hence, retailers offer a separate collection and merchandising for these products.

These stores may differ from each other based on the style of the products sold. Products in different styles such as sports, classic and casual may be displayed in separate sections within a single store or as individual stores with separate concepts. Display equipment and accessories used for each type of product may also differ. Moreover, stores can use unique display systems to highlight their products/ brands and to achieve a more effective product presentation.



STORES

DISCOVER OUR PRODUCT RANGE FOR
ADDITIONAL VALUE IN YOUR BUSINESS



The lighting usage in the store is extremely important. There are special sections like product testing or make-up application in the stores. It would be better to prefer light colors in these sections with intense store lighting.

COSMETIC STORES



Cosmetics stores are one of the retail concepts that require separate expertise from the project stage to equipment selection and design. The senses play a leading role in the sector so it would be necessary to create a design to provide an unforgettable experience in sales areas, as well as to promote cross-selling and make product comparisons possible.

Personal care products have an important place in our daily lives. Especially in recent years, stores specializing in personal care and cosmetic products have become widespread. Aesthetics and liveliness are at the forefront in designing these stores where the senses affect the purchasing decision.

Generally, the products that are served at the stores are small and their packages are eye-catching. Special concepts of branded products have a high share in cosmetic store designs. Hence, special designs and stands for branded products have to be predominant in the layout plan. Cosmetic store designs require specific materials to be used. A good design is the one that highlights the product on sale.



STORES

DISCOVER OUR PRODUCT RANGE FOR
ADDITIONAL VALUE IN YOUR BUSINESS



There should be a special drug stock unit to increase the display area of nonpharmaceutical products in the pharmacy. This unit should have a high capacity and the stock should be easily accessible. These features will facilitate the presentation of many complementary products in such a small space.

PHARMACY & DRUG STORES



The most efficient way to run small-square-meter pharmacies is to use the right equipment with the right layout project. Specialized in display units, stands and counters designed for pharmacies, Wizard Retail turns small spaces into unique stores with high turnover.

Pharmacy designs are similar to personal care stores today. In addition to drug sales, pharmacies have recently turned into a versatile retail point of sale. With the introduction of dermo-cosmetics and personal care products to pharmacies, in-store display equipment has been now designing with special concepts.

Meanwhile, The service counter usage in the store has an important function. There should be different side display spaces on the counter that trigger out-of-stock or non-urgent sales. Additionally, the section where the preparation and storage of special drugs takes place should have minimum effect on the sales space of the store.



STORES

DISCOVER OUR PRODUCT RANGE FOR
ADDITIONAL VALUE IN YOUR BUSINESS



Cash counters in station markets have a unique and important feature. Cash counters should be designed based on consumers' quick service demand. In addition, there should be display areas behind and in front of the counter that will attract consumers and motivate their impulse buying behavior.

GAS STATIONS



Small markets of gas stations are quick-sale supermarkets where products of varying categories are displayed together. We bring these differences all together in one place with our concept designs.

Station supermarkets are efficient selling points for investors where mobile consumers meet their basic needs during their short breaks.

It can be said that a station market is a smaller version of a supermarket concept. Recently some small additional sales-boosting segments have been added to these stores; coffee and snack bars are now becoming more common. Many car accessories are also put up for sale in this concept. While creating these store designs, the main purpose would be to help consumers get the products quickly and complete their shopping rapidly.





01B

STORAGE

Today, the efficiency of production technologies has made a significant contribution to the reduction of product costs. However, the most important factor that will reduce the price of the product at the final sales point and maximize profit is to reduce logistics and storage costs. As Wizard Retail team, we design projects that will increase the efficiency of your pre-sales activities and organizations.

STORAGE

DISCOVER OUR PRODUCT RANGE FOR
ADDITIONAL VALUE IN YOUR BUSINESS



We share our experiences with the investors on auxiliary equipment while designing storage projects i.e; forklifts and pallet trucks. We aim to improve your shipping and logistics processes by offering productive storage solutions.

HEAVY RACK SYSTEMS



Safety is first. We present the most effective solution for the retailer's storage project, keeping safety at the top of the list.

Projects which is projected with the right layout plan help retailers earn time & cost-efficiency. A lower cost will eventually put the retailer ahead of the competition.

Safety is the most important factor when you design the HR systems. The racks and equipment have to be chosen based on the static and dynamic calculations which are vital for protecting the safety of life and property.



STORAGE

DISCOVER OUR PRODUCT RANGE FOR
ADDITIONAL VALUE IN YOUR BUSINESS



Mini Rack systems provide compact usage combined with a standard supermarket shelving system. Widely used in DIY projects, where the lower part of a unit is used for display, while the upper part is for storage.

MINI RACK SYSTEMS



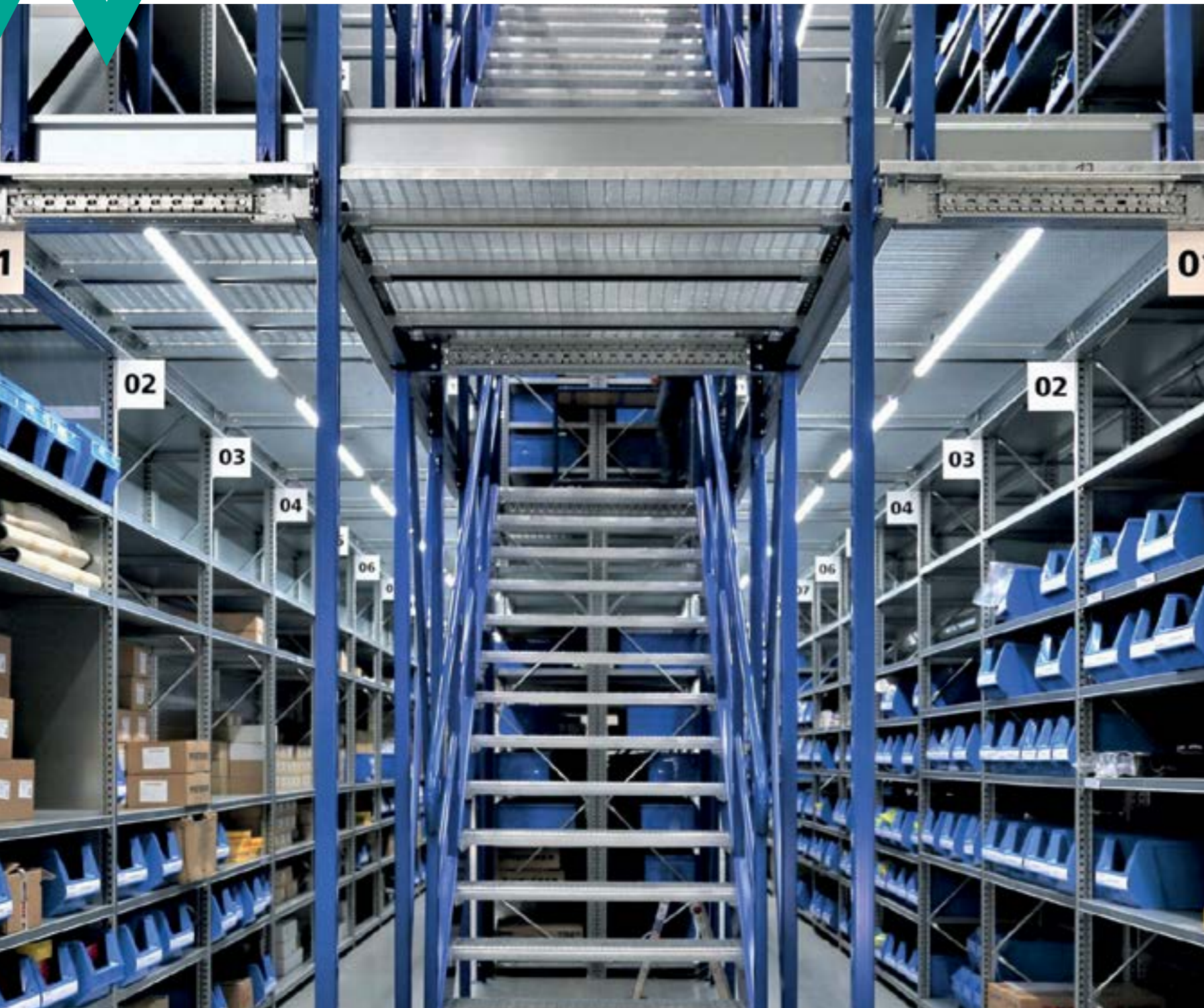
We offer the most robust and effective mini rack system projects/solutions based on customer requirements.

The mini rack system is a mid-range and handy storage rack system. Mini rack system helps the business owner utilize maximum capacity within a minimal storage space. It's one of our most preferred storage solutions which can be easily scaled based on customer requirements.



STORAGE

DISCOVER OUR PRODUCT RANGE FOR
ADDITIONAL VALUE IN YOUR BUSINESS



A mezzanine system will accelerate your storage processes only if the initial project is flawless. Placement of the stairs, the main and secondary aisles, flooring selection and lighting are some of the vital points to be considered in the project.

MEZZANINE SYSTEMS



Wizard Retail offers alternative solutions for projects that will reduce the per-square-meter costs and speed up the logistics processes. You'll be able to use the vertical storage space most efficiently and have the extra storage or workspace you need with a Mezzanine Storage System.

The per square meter cost is very crucial in storage spaces. The cost is increasing every day and the business owner aims to use the needed storage spaces most productively.

The mezzanine system offers x2 physical storage volume in the same area when compared to a standard rack system so it means that 2 times less per square meter cost. In some cases, this can go up to 3 times. a Mezzanine System will offer a competitive advantage to the investors according to the product group specifications and the dynamic logistics processes.

STORAGE

DISCOVER OUR PRODUCT RANGE FOR
ADDITIONAL VALUE IN YOUR BUSINESS



The most common rack system used for light-duty storage is the Bolted Rack System. We recommend the F30 Light Duty Storage Shelves when there is a need for slightly heavier loads.

LIGHT DUTY SYSTEMS



Bolted Rack and F30 Shelving systems are the ideal solutions for warehouses and archives in many sectors.

Wizard Retail offers a complete solution for retailers who seek affordable warehousing from project to installation.

Light Duty Systems are affordable and handy storage systems for light loads and are usually preferred in retail spots. These systems are also called “Pocket Warehouses”. We are mostly used within the store to ensure fast product flow in clothing stores, pharmacies or spare parts stores. These modular systems can be customized according to customer requirements with wide usage as archive storage systems.



02

SHELF SYSTEMS

We offer our customers a shelving system for many different needs such as metal display units, light and medium storage units, mini rack systems combined with shelving units and the “Farmarack” drug storage drawer cabinets we developed for pharmacies/ drugstores.

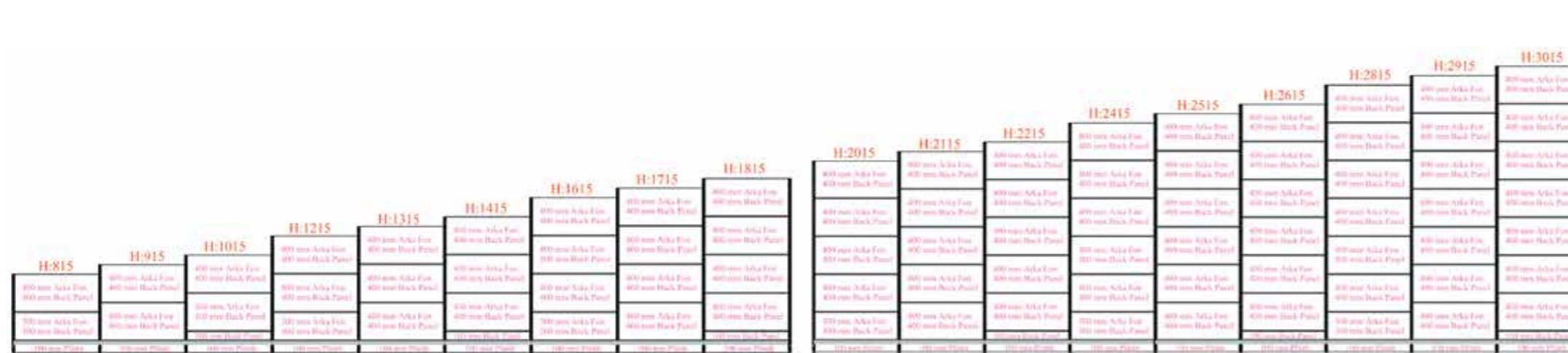
SHELF SYSTEMS



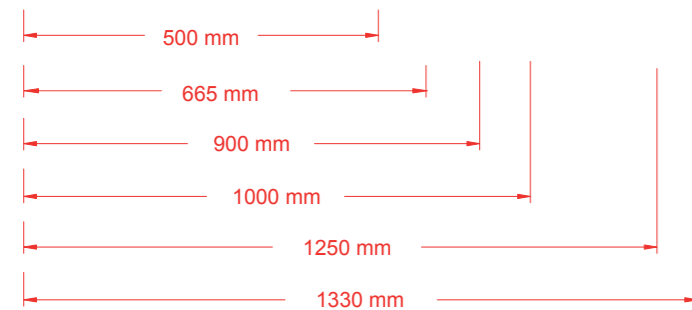
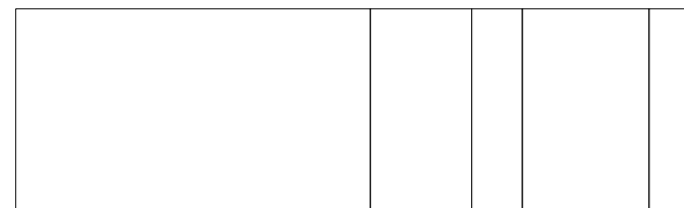
W25 SERIES SHELF SYSTEMS

- UPRIGHT
- BASE FOOT
- TRAIL BACK PANEL
- PLAIN BACK PANEL
- PERFORATED BACK PANEL
- SHELF BRACKET
- METAL SHELF
- PRICE STRIP
- PLINTH
- BASE BASKET SHELF
- TOP BASKET SHELF
- FRONT GRID
- SIDE GRID
- ACCESSORY BAR

W25 BACK PANEL LINEUP / UNIT HEIGHTS (H)



STANDART UNIT LENGTHS (L)

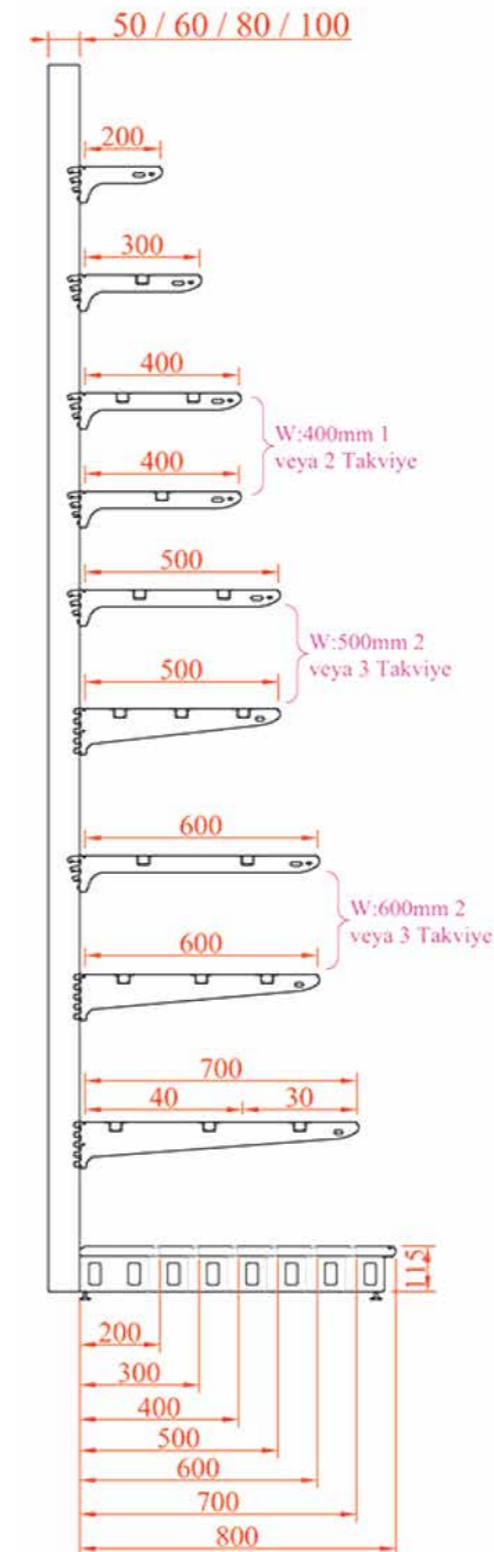


OPTIONAL UNIT DIMENSIONS

Based on customer request, unit height can be over 2400 mm (max 3000 mm).

Depending on quantity, shelves and back panels can be manufactured in 500 mm and 665 mm.

Upon request, base shelf depth can be 700 mm. Please contact Wizard Retail sales staff for non-standard. dimensions.



STANDARD COLOR OPTIONS

- RAL 9010 (Main Color)
- RAL 9001
- RAL 7024
- RAL 7035

COLORED PARTS

- RAL2004
- RAL3020
- RAL5010
- RAL 6028

POWDER COATING SPECS

Electrostatic Epoxy Polyester Powder Coating

OPTIONAL COLORS

Upon customer request, we can work on any non-standard alternative colors.

Please contact Wizard Retail sales staff to chose your desired color from the RAL catalogue.

W25 UPRIGHT (25 MM PITCH)

Item code: 02.E25.001

(h)

1000 mm
1400 mm
1600 mm
1800 mm
2000 mm
2100 mm
2200 mm
2400 mm

Upright Specs

30x60 mm - 2 / 2,5 mm
30x70 mm - 2 mm
30x80 mm - 2,5 mm



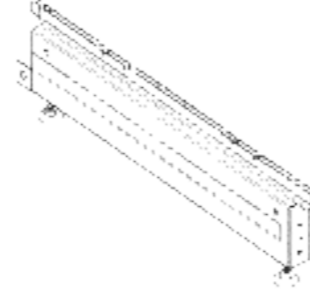
W25 BASE FOOT

Item code: 02.E25.002

(h x d)

115x300mm
115x400mm
115x500mm
115x600mm

Metal Sheet Thickness: 2.0 mm



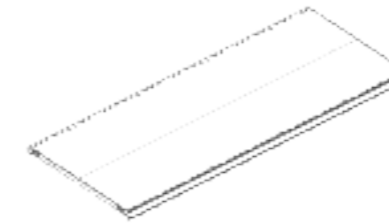
W25 METAL SHELF

Item code: 02.E25.007

(d x l)

(500 / 600) x 700 mm
(500 / 600) x 900 mm
(500 / 600) x 1000 mm
(500 / 600) x 1250 mm
(500 / 600) x 1330 mm

Metal Sheet Thickness: 0,7 mm

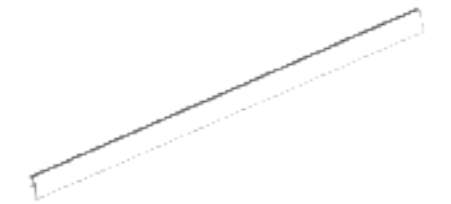


W25 PRICE STRIP

Item code: 02.E25.008

(h x l)

39 x 100 mm
39 x 700 mm
39 x 900 mm
39 x 1000 mm
39 x 1250 mm
39 x 1330 mm



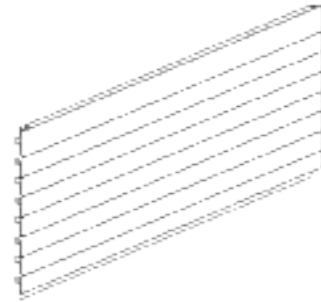
W25 TRAIL BACK PANEL

Item code: 02.E25.003

(h x l)

300 x 700 mm
300 x 900 mm
300 x 1000 mm
300 x 1250 mm
300 x 1330 mm

Metal Sheet Thickness: 0,50 mm



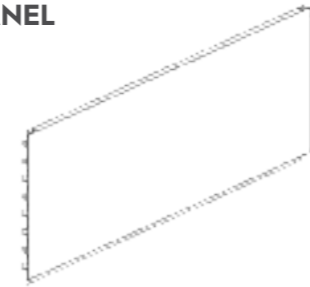
W25 PLAIN BACK PANEL

Item code: 02.E25.004

(h x l)

300 x 700 mm
300 x 900 mm
300 x 1000 mm
300 x 1250 mm
300 x 1330 mm

Metal Sheet Thickness: 0,50 mm



BASE BASKET SHELF

Item code: 02.E25.010

(h x d)

300 x (400 / 500 / 600) mm

(l)

700 mm
900 mm
1000 mm
1250 mm
1330mm

FRONT GRID

Item code: 02.E25.012

(h x l)

50 x 700 mm
50 x 900 mm
50 x 1000 mm
50 x 1250 mm
50 x 1330 mm



TOP BASKET SHELF

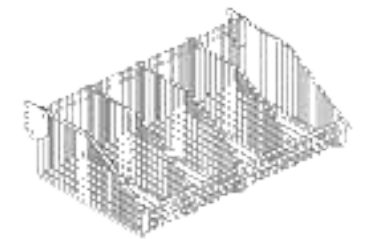
Item code: 02.E25.011

(h x d)

300 x (300 / 400 / 500) mm

(l)

700 mm
900 mm
1000 mm
1250 mm
1330mm



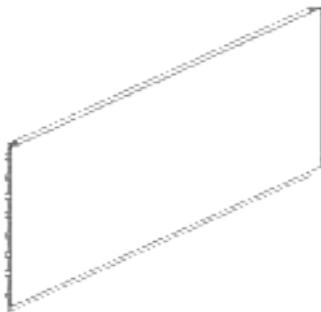
W25 PLAIN BACK PANEL

Item code: 02.E25.004

(h x l)

400 x 700 mm
400 x 900 mm
400 x 1000 mm
400 x 1250 mm
400 x 1330 mm

Metal Sheet Thickness: 0,50 mm



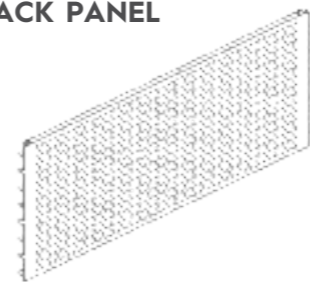
W25 PERFORATED BACK PANEL

Item code: 02.E25.005

(h x l)

400 x 700 mm
400 x 900 mm
400 x 1000 mm
400 x 1250 mm
400 x 1330 mm

Metal Sheet Thickness: 0.90mm



ACCESSORY BAR

Item code: 06.AKS.107

(h x d x l)

20 x 40 x 700 mm
20 x 40 x 900 mm
20 x 40 x 1000 mm
20 x 40 x 1250 mm
20 x 40 x 1330 mm



PLINTH

Item code: 02.E25.009

(h x l)

100 x 700 mm
100 x 900 mm
100 x 1000 mm
100 x 1250 mm
100 x 1330 mm



W25 SHELF BRACKET

Item code: 02.E25.006

(d)

300 mm (2mm)
400 mm (2 mm / 2,5 mm)
500 mm (3 mm)
600 mm (3 mm)

Metal Sheet Thickness: 2 mm / 2,5 mm / 3mm



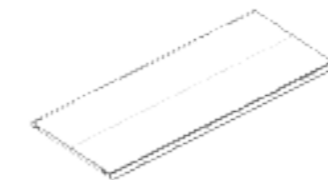
W25 METAL SHELF

Item code: 02.E25.007

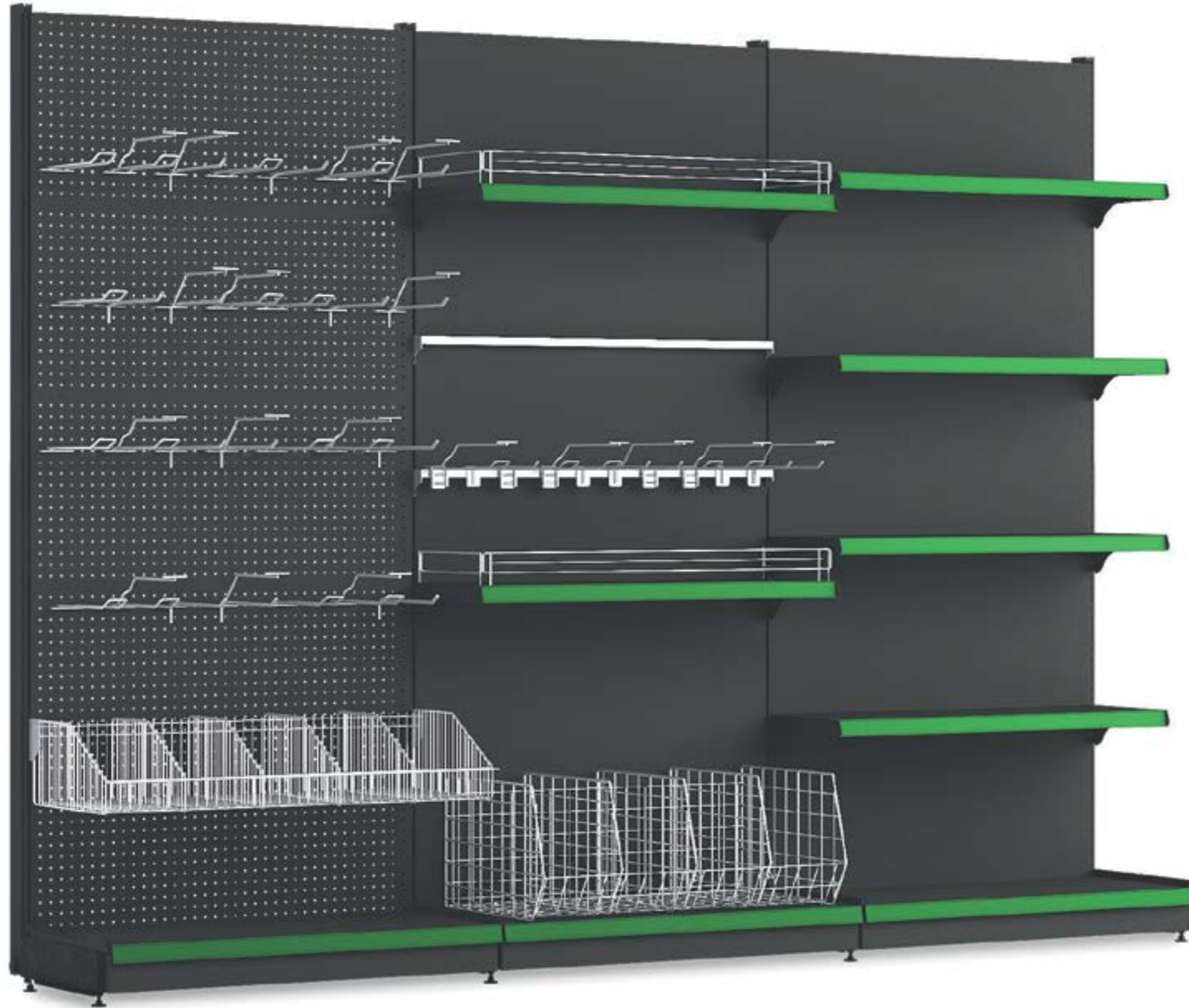
(d x l)

(300 / 400) x 700 mm
(300 / 400) x 900 mm
(300 / 400) x 1000 mm
(300 / 400) x 1250 mm
(300 / 400) x 1330 mm

Metal Sheet Thickness: 0.70mm



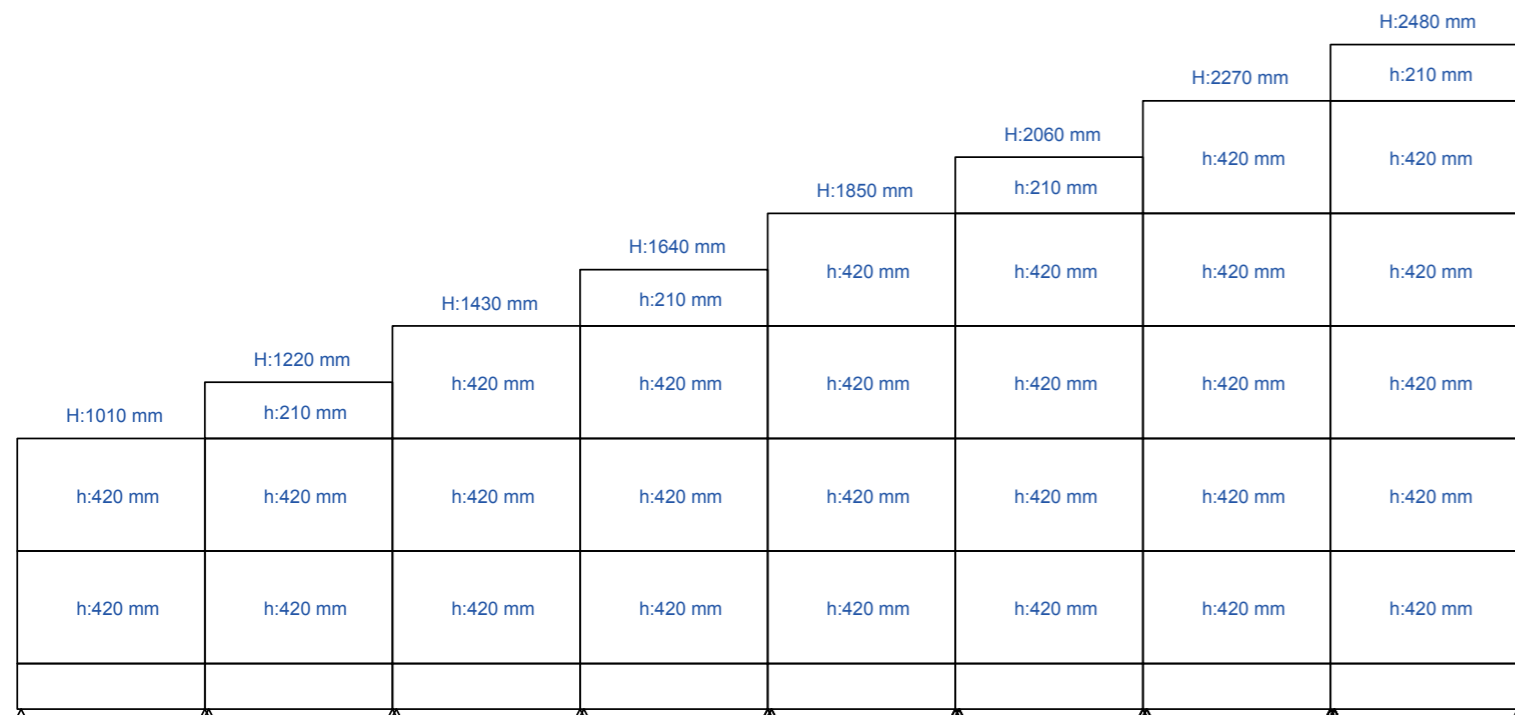
SHELF SYSTEMS



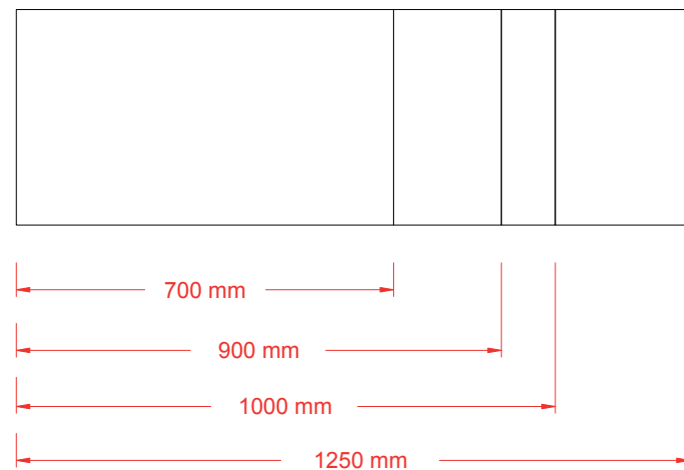
W35 SERIES SHELF SYSTEMS

- UPRIGHT
- BASE FOOT
- PLAIN BACK PANEL
- PERFORATED BACK PANEL
- SHELF BRACKET
- METAL SHELF
- PRICE STRIP
- PLINTH
- BASE BASKET SHELF
- TOP BASKET SHELF
- FRONT GRID
- SIDE GRID
- ACCESSORY BAR

W35 BACK PANEL LINEUP / UNIT HEIGHTS (H)



STANDART UNIT LENGTHS (L)



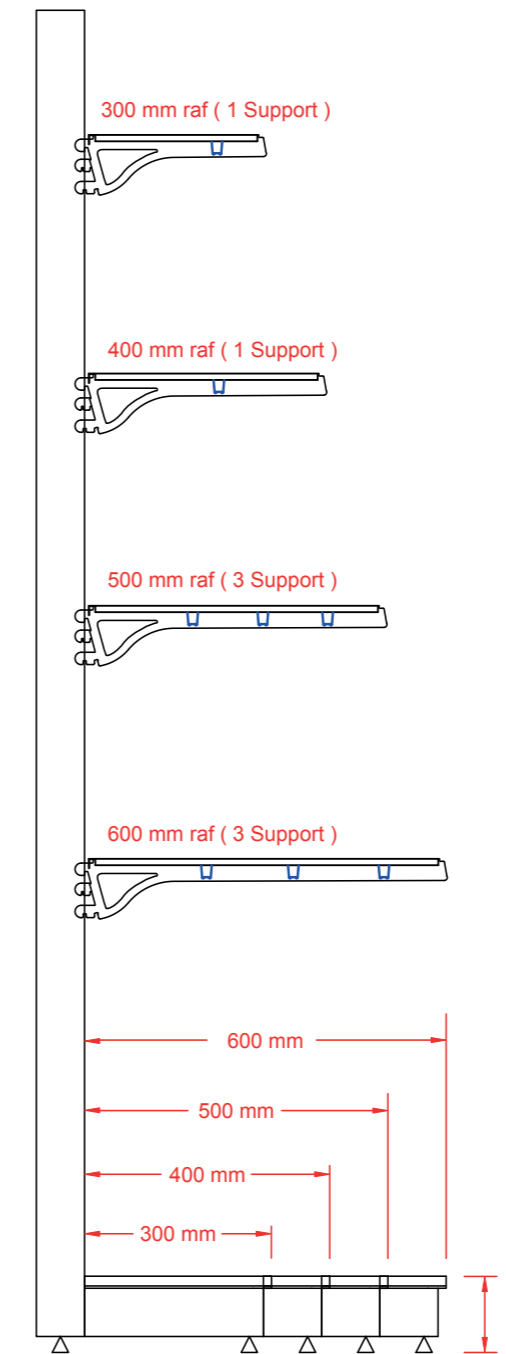
OPTIONAL UNIT DIMENSIONS

Based on customer request, unit height can be over 2480 mm (max 2900 mm).

Depending on quantity, shelves and back panels can be manufactured in 550 mm, 750 mm and 950 mm.

Please contact Wizard Retail sales staff for non-standard dimensions.

STANDART UNIT DEPTHS (D)



STANDARD COLORS OPTIONS

RAL 9016 (Main Color)
RAL 7024 (Main Color)
RAL 7035

COLORED PARTS

RAL 2004
RAL 3020
RAL 5010
RAL 6028

POWDER COATING SPECS

Electrostatic Epoxy Polyester Powder Coating

OPTIONAL COLORS

Upon customer request, we can work on any non-standard alternative colors.

Please contact Wizard Retail sales staff to chose your desired color from the RAL catalogue.

W35 UPRIGHT (35 PITCH)

Item code: 02.S35.001

(h)

1220 mm
1430 mm
1640 mm
1850 mm
2060 mm
2270 mm
2480 mm

Upright Specs
30x70 mm - 2,5 mm

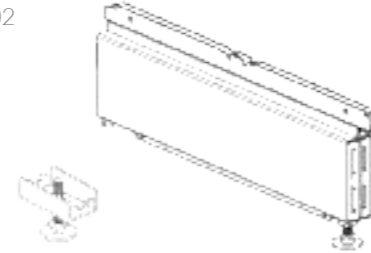


W35 BASE FOOT

Item code: 02.S35.002

(h x d)

170 x 300 mm
170 x 400 mm
170 x 500 mm
170 x 600 mm



Metal Sheet Thickness: 1,5 mm

W35 PRICE STRIP

Item code: 02.S35.007

(h x l)

39 x 700 mm
39 x 900 mm
39 x 1000 mm
39 x 1250 mm



W35 PLINTH

Item code: 02.S35.008

(h x l)

150 x 700 mm
150 x 900 mm
150 x 1000 mm
150 x 1250 mm



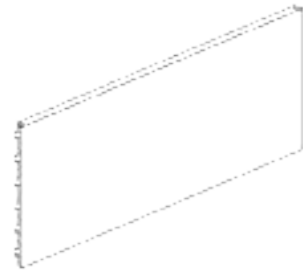
W35 PLAIN BACK PANEL

Item code: 02.S35.003

(h x l)

420 x 700 mm
420 x 900 mm
420 x 1000 mm
420 x 1250 mm

Metal Sheet Thickness: 0,6 mm



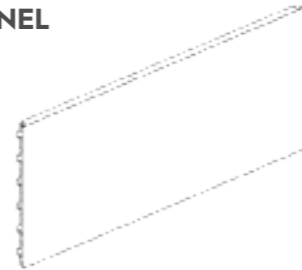
W35 PLAIN BACK PANEL

Item code: 02.S35.003

(h x l)

210 x 700 mm
210 x 900 mm
210 x 1000 mm
210 x 1250 mm

Metal Sheet Thickness: 0,6 mm



BASE BASKET SHELF

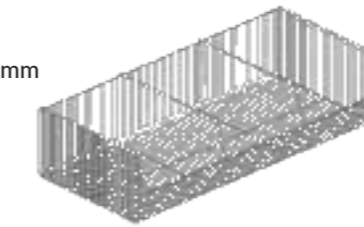
Item code: 02.S35.009

(h x d)

300 x (400 / 500 / 600) mm

(l)

700 mm
900 mm
1000 mm
1250 mm



W35 TOP BASKET SHELF

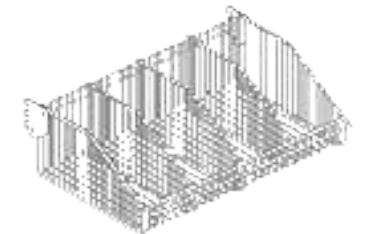
Item code: 02.S35.010

(h x d)

300 x (300 / 400 / 500) mm

(l)

700 mm
900 mm
1000 mm
1250 mm



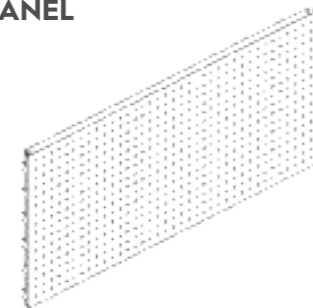
W35 PERFORATED BACK PANEL

Item code: 02.S35.004

(h x l)

420 x 700 mm
420 x 900 mm
420 x 1000 mm
420 x 1250 mm

Metal Sheet Thickness: 1 mm



W35 SHELF BRACKET

Item code: 02.S35.005

(d)

300 mm (2mm)
400 mm (2 mm / 2,5 mm)
500 mm (3 mm)
600 mm (3 mm)

Metal Sheet Thickness: 2 mm / 2,5 mm / 3 mm



W35 FRONT GRID

Item code: 02.S35.011

(h x l)

50 x 700 mm
50 x 900 mm
50 x 1000 mm
50 x 1250 mm



W35 SIDE GRID

Item code: 02.S35.012

(h x l)

50 x 300 mm
50 x 400 mm
50 x 500 mm
50 x 600 mm



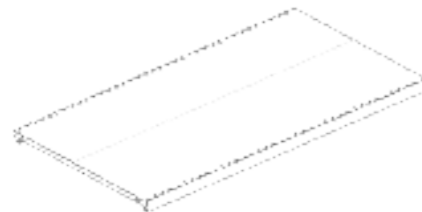
W35 METAL SHELF

Item code: 02.S35.006

(d x l)

(300 / 400) x 700 mm
(300 / 400) x 900 mm
(300 / 400) x 1000 mm
(300 / 400) x 1250 mm

Metal Sheet Thickness: 0,7 mm



W35 METAL SHELF

Item code: 02.S35.006

(d x l)

(500 / 600) x 700 mm
(500 / 600) x 900 mm
(500 / 600) x 1000 mm
(500 / 600) x 1250 mm

Metal Sheet Thickness: 0,7 mm



ACCESSORY BAR 20x40

Item code: 06.AKS.107

(h x d x l)

20 x 40 x 700 mm
20 x 40 x 900 mm
20 x 40 x 1000 mm
20 x 40 x 1250 mm



ACCESSORY BAR 15x30

Item code: 06.AKS.108

(h x d x l)

15 x 30 x 700 mm
15 x 30 x 900 mm
15 x 30 x 1000 mm
15 x 30 x 1250 mm



SHELF SYSTEMS



F60 LIGHT DUTY RACK FRAME

Item code: 02.F60.001

(h x d)

2000 x (500 / 600 / 700 / 800) mm
 2250 x (500 / 600 / 700 / 800) mm
 2500 x (500 / 600 / 700 / 800) mm
 3000 x (500 / 600 / 700 / 800) mm
 3500 x (500 / 600 / 700 / 800) mm

Metal Sheet Thickness: 1,5 mm / 2 mm



F60 BASE PLATE

Item code: 02.F60.002

F60 STEEL PEG

Item code: 02.F60.003



F60 SECURITY PIN

Item code: 02.F60.004

OMEGA BEAM 30x60

Item code: 02.F60.005

BOX BEAM 40x60

Item code: 02.F60.006

G BEAM 40x60

Item code: 02.F60.007

BOX BEAM 40x80

Item code: 02.F60.008

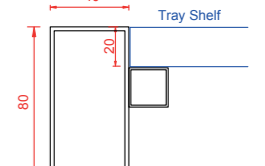
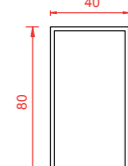
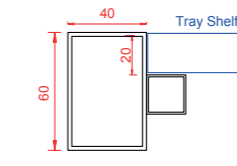
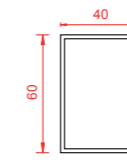
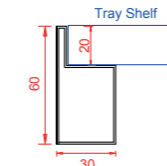
G BEAM 40x80

Item code: 02.F60.009

(l)

1200 mm
 1500 mm
 1800 mm
 2000 mm
 2500 mm

Metal Sheet Thickness:
 1,5 mm / 2 mm



F60 TRAY SHELF TYPE 1

Item code: 02.F60.010

(h x d x l)

20 x (500 / 600 / 700 / 800) x 250 mm
 20 x (500 / 600 / 700 / 800) x 300 mm

Metal Sheet Thickness

0,7 mm / 1 mm / 1,2 mm



F60 TRAY SHELF TYPE 2

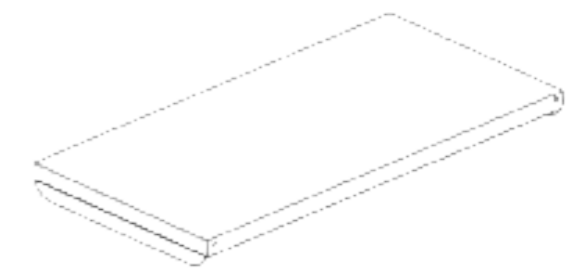
Item code: 02.F60.011

(h x d x l)

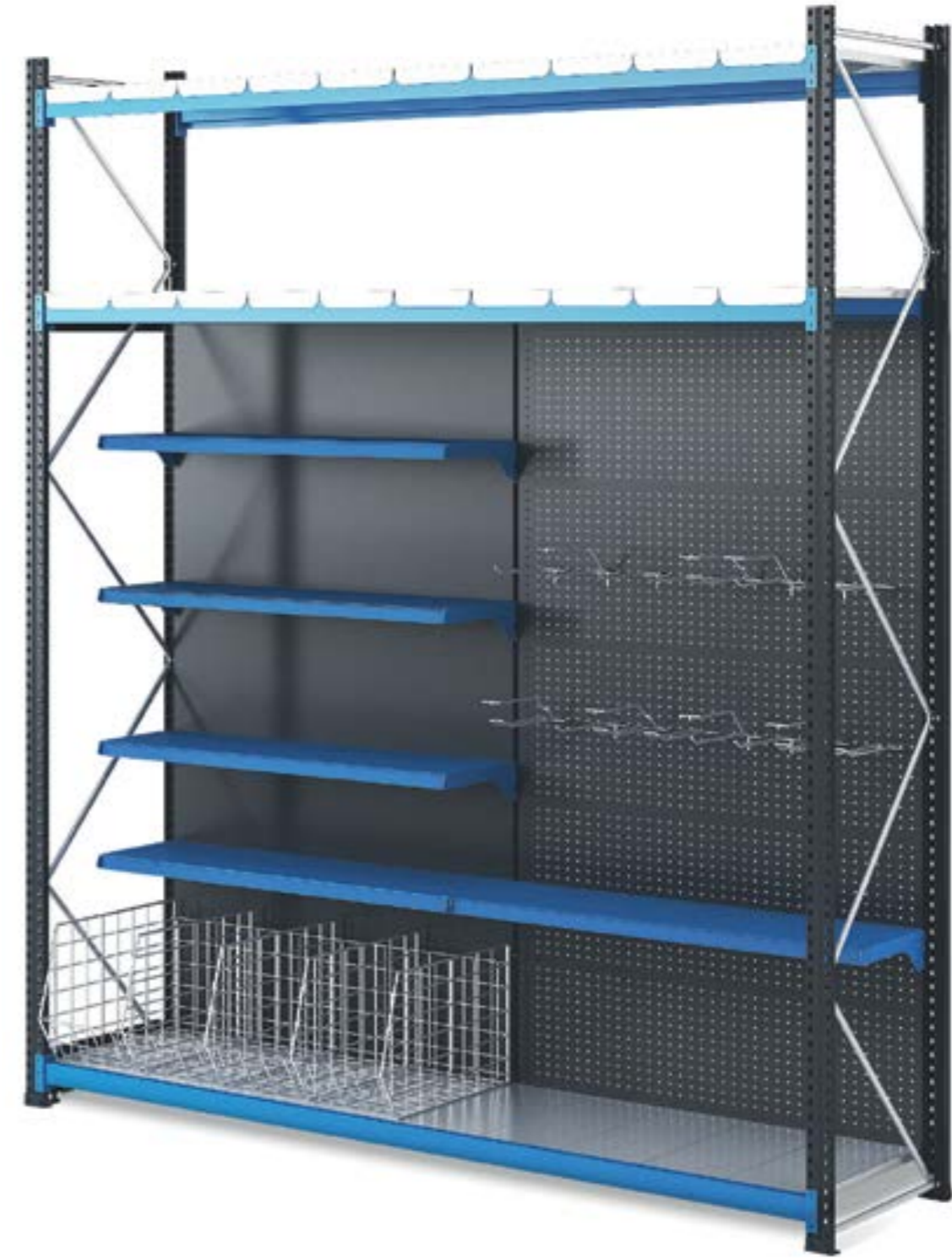
20 x (500 / 600 / 700 / 800) x 250 mm
 20 x (500 / 600 / 700 / 800) x 300 mm

Metal Sheet Thickness

0,7 mm / 1 mm / 1,2 mm



SHELF SYSTEMS



SHELF SYSTEMS



F30 LIGHT DUTY STORAGE SHELVES

F30 System is used for the storage of light and medium weight product groups.

It can easily carry loads up to 200 kg per shelf. It is a system generally preferred by stores, pharmacies and spare parts shops at their back warehouses.

The F30 System can be installed side by side. It is built up by only three separate parts and can easily be assembled without any need for bolts and nuts.



BOLTED RACK SYSTEM

It is a versatile rack system that is used for display, light storage and archiving purposes. It consists of only 2 parts: the profile (upright) and the metal shelf. It is shipped out disassembled and assembled with bolts and nuts.

This rack system, which has an average carrying capacity of 80 kg per shelf, is used frequently for archiving and filing purposes. Alternative placements can be achieved in project layouts by using different sizes.

F30 FRAME

Item code: 02.F30.001

(h x d)

1600 x 400 mm
1600 x 500 mm
2000 x 400 mm
2000 x 500 mm

Upright dimensions
30 x 30 x 1,5 mm



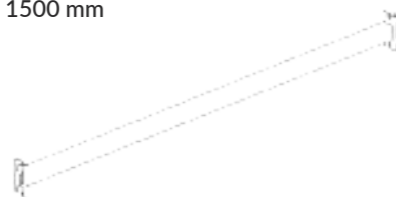
F30 BEAM

Item code: 02.F30.002

(l)

900 mm
1200 mm
1500 mm

Dimensions
30 x 30 x 1,5 mm



F30 TRAY SHELF

Item code: 02.F30.003

(h x d x l)

20 x 400 x 300 mm
20 x 500 x 300 mm

Metal Thickness:
0,8 mm



BOLTED RACK L UPRIGHT

Item code: 02.CVT.001

(h x d x l)

1000 x 40 x 40 mm
1500 x 40 x 40 mm
2000 x 40 x 40 mm
2500 x 40 x 40 mm

Profile Section
1,5 mm x 2 mm

Bolt
Item code: 02.CVT.003

Nut
Item code: 02.CVT.004



BOLTED SHELF

Item code: 02.CVT.002

(h x d x l)

20 x 310 x 600 mm	20 x 430 x 600 mm	20 x 590 x 600 mm
20 x 310 x 750 mm	20 x 430 x 750 mm	20 x 590 x 750 mm
20 x 310 x 930 mm	20 x 430 x 930 mm	20 x 590 x 930 mm

Metal Thickness
0,6 mm / 0,7 mm / 1 mm





FARMARACK DRUGSTORE CABINET
 High capacity drug storage with telescopic full swing drawers.
 Keeps your sales space intact. Easy access to all drugs with
 telescopic ladder and labeling system

FARMARACK DRUGSTORE CABINET

Item code: 02.FMR.001

(h x d x l)

2000 x 1000 x 420 mm
 2000 x 1200 x 420 mm

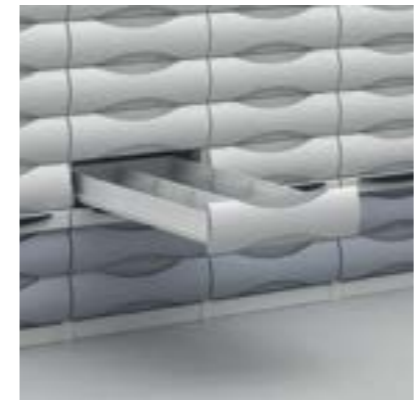
Each module is 450 mm wide. To create a unit of the desired size, a certain number of modules should be added side by side. An additional upright is added at the end of each set of units. Each unit is also dressed up with a wooden cover.

FARMARACK ADDITIONAL UPRIGHT

Ürün Kodu : 02.FMR.001.01

FARMARACK WOODEN COVER

Ürün Kodu : 02.FMR.001.02



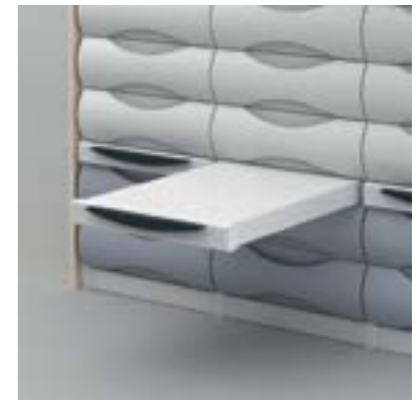
SINGLE TELESCOPIC DRAWER

80 kg load capacity with bearing supported rails.
 Drawer compartments.
 Open drawer depth 900 / 1100 mm.
 Drawer height: 125 mm.



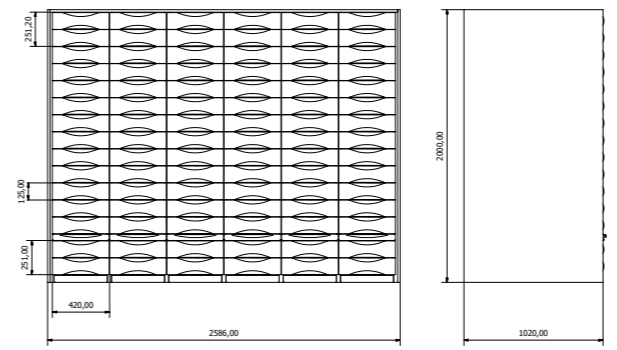
DOUBLE TELESCOPIC DRAWER

80 kg load capacity with bearing supported rails.
 Drawer compartments.
 Open drawer depth 900 / 1100 mm.
 Drawer height: 250 mm.



TELESCOPIC LADDER

Opens/Closes with rail mechanism
 120 kg load capacity.



COLOR OPTIONS

Drawer Standard Colors:
 Ral 9016 - Ral 7046

Wood Colors:
 White - Natural Beech

One column has a total of 15 pieces of 125 mm high drawers, 2 pieces of 250 mm high double drawers and a single piece of telescopic ladder.

Farmarack is a modular system. Any desired unit size can be created by adding modules of 450 mm side by side. The side, top and back of the unit are covered by wooden coverings of 18 mm medium-density fiberboard (MDF).

Shipped out as completely disassembled and installed on site.

Note : Drawers can be painted in different colors. Please contact Wizard Retail sales staff for alternative colors.



03

GROCERY & BAKERY DISPLAYS

The grocery and bakery sections are the most important sections of a supermarket. A different visual atmosphere in these sections naturally catches consumers' attention. Wizard Retail provides solutions for retailers by developing eye-catching grocery & bakery displays in order to lead the consumer's focus on the product sold.

GROCERY DISPLAY



GROCERY WALL UNIT

Vegy is designed to offer the best angle to view and reach the products.

Optional half and quarter shelves ensure the consumer's attention to be focused on the featured products.

The mirror creates a deeper view.

The 2-level LED lighting adds vitality to the products.

Durable with its metal structure.

Stainless plates placed on the front of the base and top shelves act as a barrier for crates and bulk products while adding an overall stylish look.

GROCERY WALL UNITS

Item code: 03.MYS.001

(h x d x l)

2270 x 1100 x 1250 mm

2270 x 1100 x 850 mm

VEGY is a modular and disassembled system. Any desired display group can be formed by assembling modules with 1250 and 850 mm width. At the end of each group, an ending frame is added.

The left and right ends of a display group is covered by a wooden finish.

VEGY WALL DISPLAY ADDITIONAL FRAME

Item code: 03.MYS.001.01

VEGY WOODEN SIDE COVER

Item code: 03.MYS.001.02



OPTIONAL 2-ANGLE OVAL TOP SHELVES



OVAL SHELF HOLDER BAR

Item code: 03.MYS.004

(1)

1250 mm

850 mm



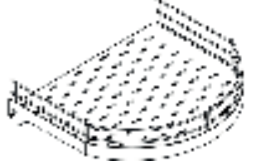
GROCERY OVAL HALF TOP SHELF SET

Item code: 03.MYS.002

(h x d x l)

80x 450 x 600 mm

80x 500 x 600 mm



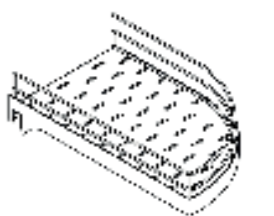
GROCERY OVAL QUARTER TOP SHELF SET

Item code: 03.MYS.003

(h x d x l)

80x 450 x 300 mm

80x 500 x 300 mm



GROCERY DISPLAY

VEGY FRESH PRODUCE MIDDLE DISPLAY

Item code: 03.MYS.005

(h x d x l)

1500 x 2200 x 1250 mm
1500 x 2200 x 850 mm



VEGY WALL DISPLAY ADDITIONAL FRAME

Item code: 03.MYS.005.01

VEGY WOODEN SIDE COVER

Item code: 03.MYS.005.02

VEGY FRESH PRODUCE END UNIT

Item code: 03.MYS.010

(h x d x l)

1200 x 1100 x 2000 mm



OVAL SHELF HOLDER BAR

Item code: 03.MYS.004

(l)

1250 mm
750 mm

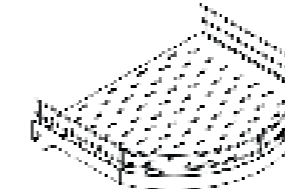


VEGY OVAL HALF TOP SHELF SET

Item code: 03.MYS.002

(h x d x l)

80x 450 x 600 mm
80x 500 x 600 mm

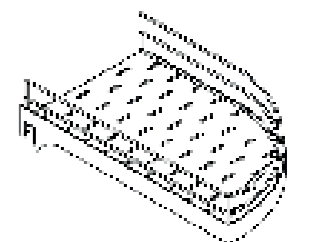


VEGY OVAL QUARTER TOP SHELF SET

Item code: 03.MYS.003

(h x d x l)

80x 450 x 300 mm
80x 500 x 300 mm



GROCERY DISPLAY



POND FRESH PRODUCE DISPLAY

Combining the easiness of wood and the robustness of metal,
Pond adds motion to your fresh produce merchandising.
-Solid wood and stainless finish

-Stainless protection barrier
-Stainless bottom and rubber plinth

POND FRESH PRODUCE WALL DISPLAY

Item code: 03.MYS.006

(h x d x l)

2300 x 1129 x 1250 mm

POND FRESH PRODUCE MIDDLE DISPLAY

Item code: 03.MYS.007

(h x d x l)

900 x 1200 x 3250 mm (1 x 1250 mm module + End unit)

VEGA FRESH PRODUCE DISPLAY

Item code: 03.MYS.008

(h x d x l)

750 - 1450 x 1000 x 1250 mm

- Adjustable display table
- Mobile shelf at the bottom
- Wheels



SMART FRESH PRODUCE DISPLAY

Item code: 03.MYS.009

(h x d x l)

750 - 1250 x 900 x 1250 mm

- Adjustable display table
- Mobile shelf at the bottom
- Wheels



Unlu Marmuller



BAKERY DISPLAY

W25 UPRIGHT (25 MM PITCH)

Item code: 02.E25.001

(h)

2100 mm

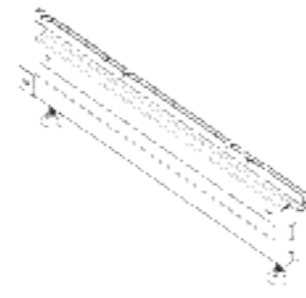


W25 BASE FOOT

Item code: 02.E25.002

(h x d)

100 x 500 mm

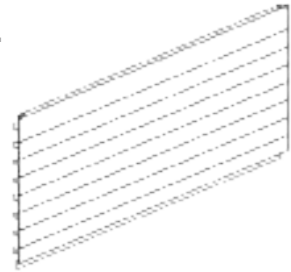


W25 TRAIL BACK PANEL

Item code: 02.E25.003

(h x l)

500 x 1000 mm



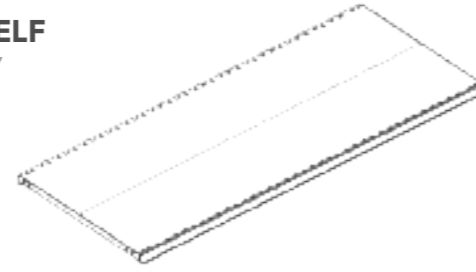
W25 METAL SHELF

Item code: 02.E25.007

(d x l)

500 x 1000 mm

400 x 1000 mm



W25 PLINTH

Item code: 02.E25.009

(h x l)

100 x 1000 mm



W25 PRICE STRIP

Item code: 02.E25.008

(h x l)

39 x 100 mm

39 x 1000 mm



W25 SHELF BRACKET

Item code: 02.E25.006

(d)

400 mm (2 mm)



W25 ESSORY BAR 20x40

Item code: 06.AKS.107

(h x d x l)

20 x 40 x 1000 mm



W25 FRONT GRID

Item code: 02.E25.012

(h x l)

50 x 1000 mm



W25 SIDE GRID

Item code: 02.01.013

(h x l)

50 x 400 mm

50 x 500 mm



BAKERY PLAIN WOODEN SHELF

Item code: 04.UML.001

(h x d x l)

18 x 400 x 1000 mm



BAKERY WOODEN GRATING SHELF

Item code: 04.UML.002

(h x d x l)

18 x 400 x 1000 mm



WOODEN SHELF BRACKET SET

Item code: 04.UML.003

(d)

400 mm

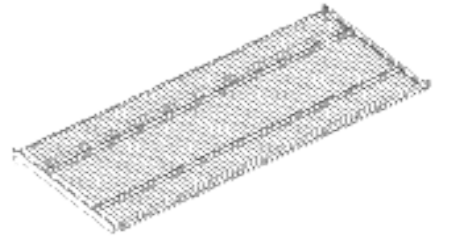


E25 WIRE SHELF

Item code: 06.AKS.104

(h x d x l)

50 x 400 x 1000 mm



BAKERY WOODEN SIDE COLUMN

Item code: 04.UML.004

(h x d x l)

2100 x 560 x 120 mm



BAKERY WOODEN TOP COLUMN

Item code: 04.UML.005

(h x d x l)

120 x 560 x 3000 mm

120 x 560 x 4000 mm

120 x 560 x 5000 mm



4 DRAWERS RAIL CABINET

Item code: 04.UML.006

(h x d x l)

1600 x 500 x 1000 mm

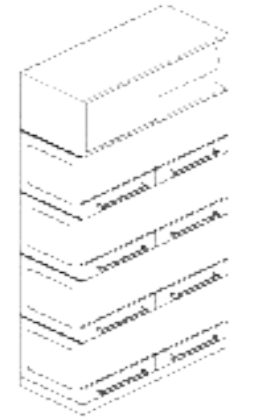


8 DRAWERS RAIL CABINET

Item code: 04.UML.007

(h x d x l)

1600 x 500 x 1000 mm



BAKERY DISPLAY

BAKED BAKERY MIDDLE DISPLAY

Item code: 04.UML.008

(h x d x l)

1450 x 800 x 1000 mm

Designed to present goods effectively with a style, Baked offers a flexible display solution with its functional and adjustable structure.



FLOUR BAKERY MIDDLE DISPLAY

Item code: 04.UML.009

(h x d x l)

1450 x 800 x 1000 mm

As a flexible and ergonomic middle display unit that can be added side by side, Flour offers the possibility to display a variety of bakery products.



SOW BAKERY MIDDLE DISPLAY

Item code: 04.UML.010

(h x d x l)

1600 x 800 x 1000 mm

Used as a middle display unit for bakery

presentation, Sow adds your stores style and an authentic atmosphere.

Can be used bidirectional.





SPECIAL APPLICATIONS FOR BAKERY AND FRESH PRODUCE DISPLAYS

Apart from the standard product groups, we also offer custom solutions and special applications regarding the design of bakery presentation.

We develop concepts that will create a difference for the bakery sales area and increase the consumer perception by considering all dynamics such as target customers and product variety of the store.





04

DISPLAY BASKETS

Display baskets are one of the most efficient equipment in your store. Display baskets are the easiest way to promote the products that you want to highlight and increase the sales volume or products that are on sale. They are multiuse equipment thanks to their mobility. Check out Wizard Retail's range of display baskets to turn any corner of your store into a sales space.

DISPLAY BASKETS

DISPLAY BASKET ALFA

Item code: 05.TSP.001

(h x d x l)

850 x 400 x 600 mm

850 x 600 x 800 mm

850 x 800 x 800 mm

850 x 800 x 1200 mm

Models

With lower profile

With wheels



Standard Model

ALFA offers the opportunity to display products at different levels with desired depths. It challenges heavy loads with its strong profile lower frame (supported models). With its optional wheels, it can be easily moved to any location in the store.

Coating Options

Chrome - Zinc

RAL 9010 - RAL 7024 - RAL 9006

DISPLAY BASKET BETA

Item code: 05.TSP.002

(h x d x l)

850 x 600 x 800 mm

850 x 800 x 800 mm

850 x 800 x 1200 mm

Models

With lower profile

With wheels



75 mm, 4 swivel casters,
2 casters with brake

Thanks to the 4-levels adjustable wire shelf of the display basket BETA, it's possible to adjust the presentation depth for different products. With optional lower profile frame, this basket can also handle heavier loads. The optional mobile version with wheels can be easily moved to any desired location in the store.

Coating Options

Chrome - Zinc

RAL 9010 - RAL 7024 - RAL 9006

DISPLAY BASKETS

DISPLAY BASKET GAMA

Item code: 05.TSP.003

(h x d x l)

850 x 600 x 800 mm

850 x 800 x 800 mm

850 x 800 x 1200 mm



With lower profile

Models

With lower profile

With wheels

Display basket GAMA offers the deepest presentation option in this range. The wire shelf can be adjusted at 5-levels of depth. The lower profile frame (optional) helps GAMA handle heavy loads. Wheels are also available for higher mobility in the store.

Coating Options

Chrome - Zinc

RAL 9010 - RAL 7024 - RAL 9006

DISPLAY BASKET DELTA

Item code: 05.TSP.004

Offers flexible and powerful presentation with its double-layer basket. Higher mobility with optional wheels. Easy display of prices with the price tag slots on the sides of the basket.

(h x d x l)

850 x 600 x 800 mm

850 x 800 x 1200 mm



TOP BASKET SET

Item code: 05.TSP.005

A very handy top basket, compatible with ALFA, BETA, GAMA and DELTA model display baskets. Additional presentation space with 2 additional shelves. Easy display of prices with included channels for price labels. With its symmetric structure, it can be used from both sides of the basket.

(h x d x l)

700 x 320 x 800 mm

700 x 320 x 1200 mm



2 swivel - 2 locked

100 mm caster

Coating Options

Chrome - Zinc

RAL 9010 - RAL 7024 - RAL 9006

DISPLAY BASKETS

DISPLAY BASKET MEGA

Item code: 05.TSP.006

(h x d x l)

630 x 600 x 1000 mm

630 x 800 x 1200 mm



L-Shaped post

Solid built, strong and high capacity display basket. Smaller spacing of the wire grid offers convenience in presenting smaller products. Wheels are standard, giving the basket a higher mobility. The L-shaped post is used to hang the price labels/tags.

Coating Options

RAL 9010 - RAL 7024 - RAL 9006

2 swivel - 2 locked
75 mm casters

DISPLAY BASKET SIGMA

Item code: 05.TSP.007

(h x d x l)

860 x 450 x 900 mm

860 x 600 x 1000 mm

Models

Standard
With wheels



With wheels

Offers a high capacity with its deep basket and strong profile legs. Optional wheels add mobility in the store.

Basket depth: 720 mm.

6-levels adjustable wire shelf.



Standard

Coating Options

RAL 9010 - RAL 7024 - RAL 9006

DISPLAY BASKETS

DISPLAY BASKET OMEGA

Item code: 05.TSP.008

(h x d x l)

850 x 450 x 900 mm

850 x 600 x 1000 mm

No bolts needed for installation. Omega offers an easy “plug-in” installation, thanks to the perforated profile legs. Omega baskets can be installed side by side to form a “sales island”. High presentation capacity with 720 mm deep basket. Omega’s wire shelf can be adjusted at six levels.

Basket depth: 720 mm.

6-levels adjustable wire shelf.



Coating Options

Chrome - Zinc

RAL 9010 - RAL 7024 - RAL 7035

OMEGA ADVERTISEMENT PANEL

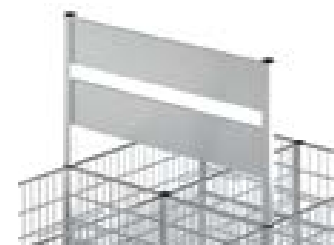
Item code: 05.TSP.009

(h x l)

750 x 900 mm

750 x 1200 mm

This advertisement panel is used along with “sales island” systems formed with Omega display baskets. Price labels can be placed on this panel. Suitable for labels of size A5.



4 x Omega Display Basket
1 x Omega Advertisement Panel

PROMOTIONAL BASKET EXTRA

Item code: 05.TSP.010

(h x d x l)

1400 x 600 x 800 mm

1400 x 800 x 800 mm

Provides an extra presentation space with the adjustable top basket shelf. Powerful presentation with its profile lower frame and deep basket. Offers mobility with optional wheels.



Coating Options

RAL 9010 - RAL 7024 - RAL 9006



DISPLAY BASKETS

PROMOTIONAL BASKET MICRON

Item code: 05.TSP.011

With its fully foldable structure, this basket does not occupy any space in the warehouse when not in use. Offers a flexible presentation with 2 alternative sizes. The shelf can be adjusted at 4-levels according to the product to be displayed.

(h x d x l)

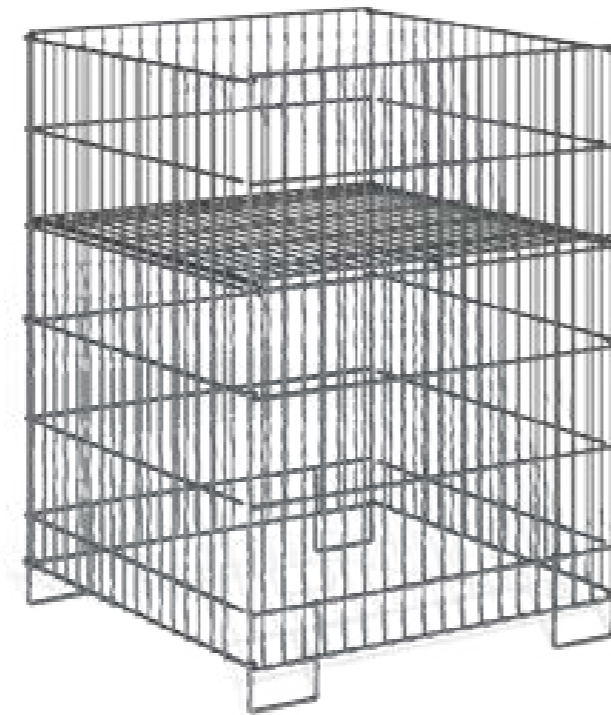
800 x 530 x 530 mm

800 x 800 x 800 mm

Coating Options

Chrome - Zinc

RAL 9010 - RAL 7024 - RAL 9006



4 BASKETS DISPLAY UNIT

Item code: 05.TSP.013

An efficient presentation option with strong profile body and dense wire basket shelves. 4 different size baskets are welded to the body. Possible to use as a gondola by placing 2 units back-to-back.

(h x d x l)

1420 x 400 x 1200 mm

Coating Options

RAL 9010 - RAL 7024 - RAL 9006



PROMOTIONAL BASKET ROUND

Item code: 05.TSP.012

Round is a small but effective display basket designed to be used on aisles or open areas in the store. Circular design helps displayed products to be highlighted by providing a visual differentiation.

(h x d x l)

850 x 400 x 400 mm

Basket Height: 200 mm

Coating Options

RAL 9010 - RAL 7024 - RAL 9006



3 BASKETS DISPLAY UNIT

Item code: 05.TSP.014

3 different size basket shelves for displaying different products. Suitable to be used at any location in the store, thanks to its small size. 2 units can be placed back-to-back to form a two-way display unit.

(h x d x l)

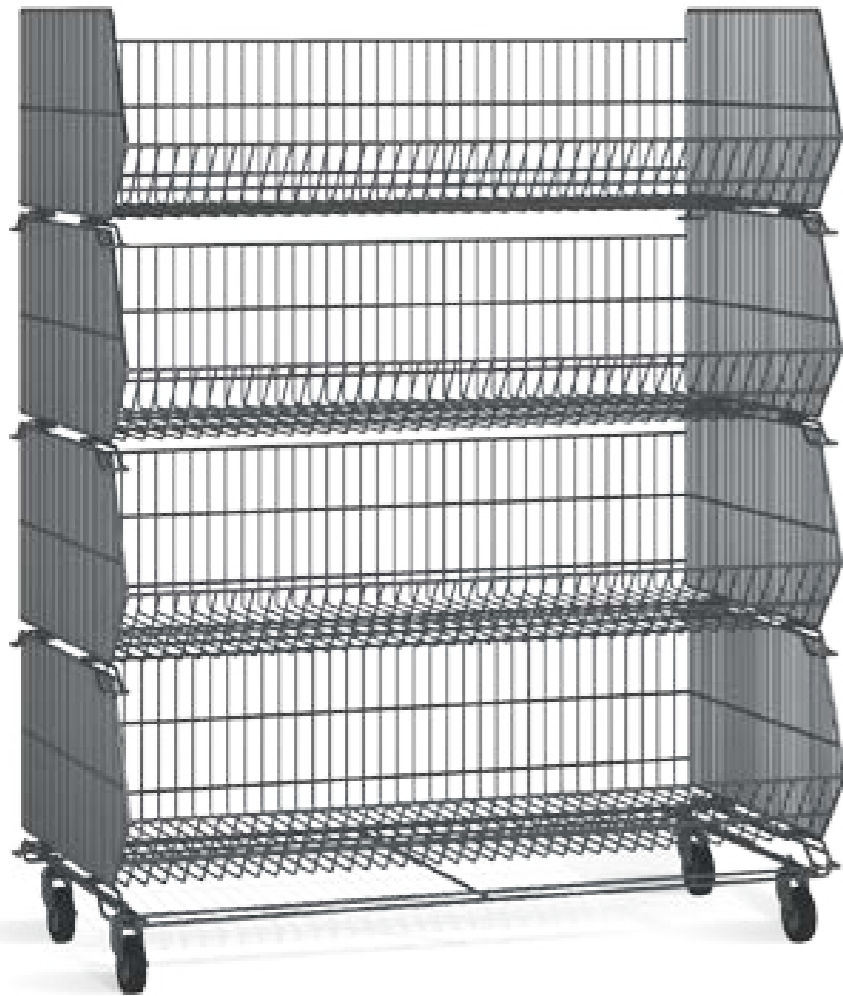
1130 x 400 x 500 mm

Coating Options

RAL 9010 - RAL 7024 - RAL 9006



DISPLAY BASKETS

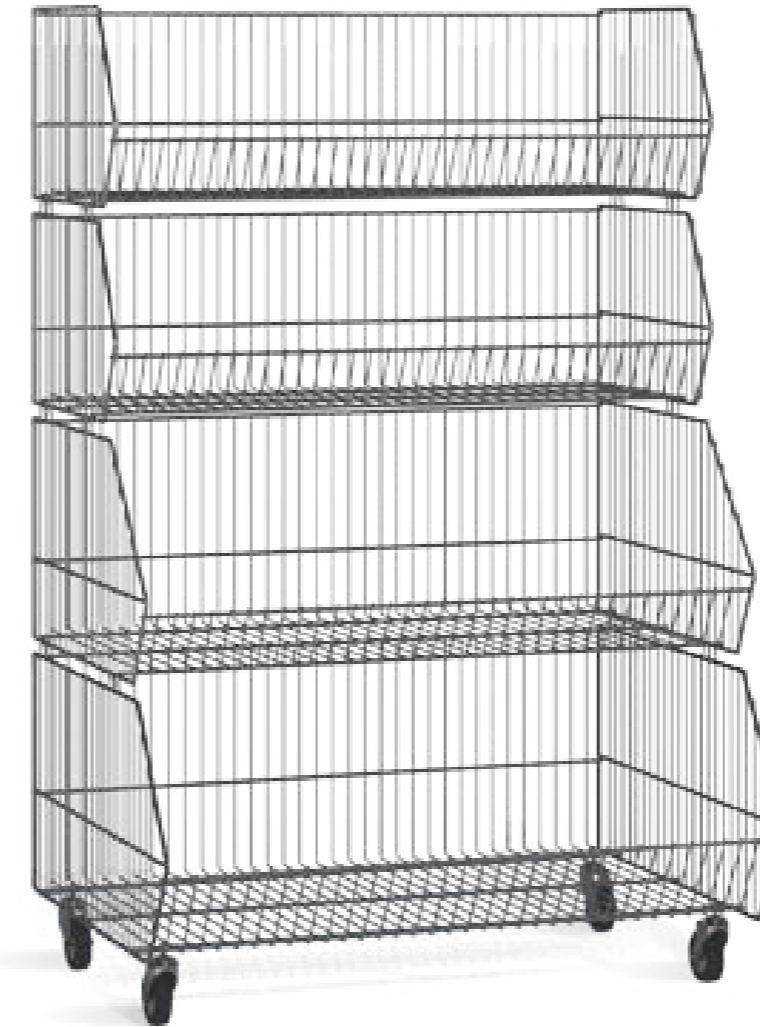


MULTI-TIER WIRE BASKET RACK

Suitable to be used in every spot in the store, this rack set offers high capacity and mobility. Each tier has a loading capacity of 100 kg.

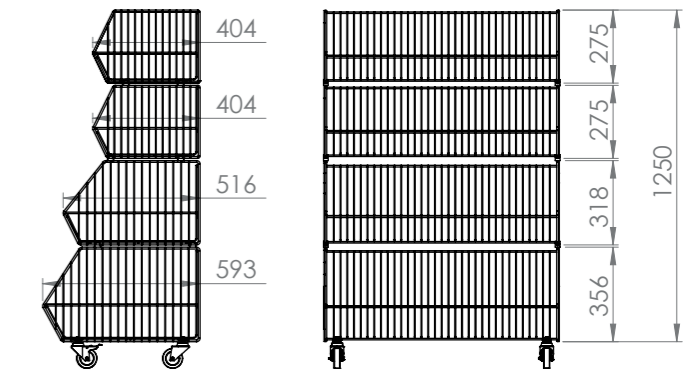
Coating Options

Chrome - Zinc
RAL 9010 - RAL 7024 - RAL 9006



STEPPED WIRE BASKET RACK

A handy basket rack with baskets having different sizes (smaller depths at the top). High mobility with wheels fixed on the bottom basket.



Coating Options

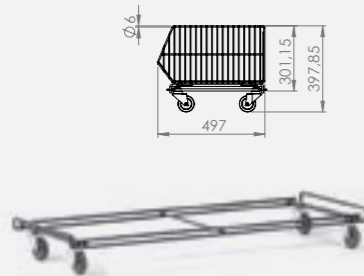
Chrome - Zinc
RAL 9010 - RAL 7024 - RAL 9006

RACK BASE

Item code: 05.ASP.001

(h x d x l)

- 97 x 497 x 500 mm
- 97 x 497 x 1000 mm
- 97 x 497 x 1250 mm

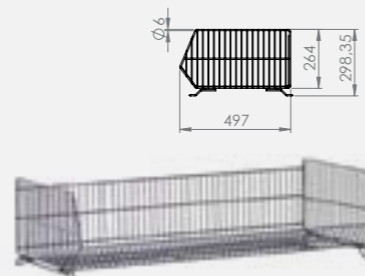


WIRE BASKET RACK

Item code: 05.ASP.002

(h x d x l)

- 264 x 497 x 500 mm
- 264 x 497 x 1000 mm
- 264 x 497 x 1250 mm



WIRE WHEELED BASKET

Item code: 05.ASP.003

(h x d x l)

- 356 x 593 x 700 mm
- 356 x 593 x 900 mm

STEPPED WIRE TOP BASKET

Item code: 05.ASP.004

(h x d x l)

- 318 x 516 x 700 mm
- 318 x 516 x 900 mm
- 275 x 404 x 700 mm
- 275 x 404 x 900 mm



05

DISPLAY ACCESSORIES

Accessories are the indispensable equipment of any store when it comes to product presentation. Every store needs different display accessories depending on the products that are exposed. Some accessories are for general display purposes whereas some are very unique and specific to the product to be presented.

DISPLAY ACCESSORIES

ACCESSORIES FOR PERFORATED PANELS (DSG)

Accessories that are used on metal panels which are named as “perforated back panels” or “pegboards” in retail shelving systems. There are 3 models of this type of accessories which are all used on the same perforated panel.

DSG The most widely used standard model.

DSG-K These can be locked after fixing on the panel.

DSG-P Model with a metal pin, used in special/custom projects.

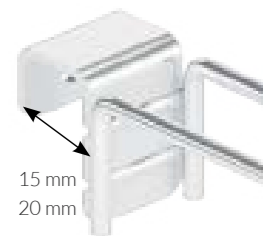


ACCESSORIES FOR PROFILE BAR (ATG)

Accessories that are fitted on the profile bars (accessory holders) used in retail shelving systems.

ATG model is compatible with plain profile bars. It's a standard and common model. Plain profile bar depth (thickness) can be 15 mm or 20 mm.

OTG model is compatible with oval profile bars. It's not a widely preferred model and used in custom/special projects.



ATG type accessories' dimensions vary depending on the profile bar's. For 15×30 mm profile bar, the back of the accessory (fitting point) will be 15 mm, for 20×30 mm and 20×40 mm profile bars, the back of the accessory (fitting-point) will be 20 mm. Pay attention when purchasing such accessories.

ACCESSORIES FOR SLATWALL PANELS (KPG)

Accessories that are used on wooden slatwall panels. Except for some special cases, these panels are universal.



ACCESSORIES FOR WIRE MESH PANELS (MG)

These accessories are compatible with widely used 50×50 mm grids of the wire mesh panels. They can also be configured for custom grid sizes.

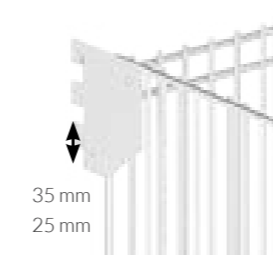


ACCESSORIES FOR UPRIGHTS (DG)

Accessories that are fitted on the profile uprights of the retail shelving systems. The size of the fitting part of these accessories vary based on the pitch of the upright.

Models with a single fixing ledge are usually compatible with uprights of any pitch size.

These accessories are compatible with all slatwall panel models.



For accessories with more than one fixing ledge, the pitch size of the upright should be noted. The fixing ledges are manufactured according to that pitch size. (Our fixing ledges are manufactured for 25 mm and 35 mm pitch sizes.)

DISPLAY ACCESSORIES

LOCKED WIRE HOOK DSG-K DOUBLE

Item code: 06.AKS.001

(d x diameter)

200 mm - Ø4
300 mm - Ø5
400 mm - Ø5



Coating

Chrome - Zinc

LOCKED WIRE HOOK DSG-K

Item code: 06.AKS.003

(d x diameter)

200 mm - Ø5
300 mm - Ø6
400 mm - Ø6



Coating

Chrome - Zinc

WIRE HOOK DSG

Item code: 06.AKS.004

(d x diameter)

150 mm - Ø5
200 mm - Ø5
250 mm - Ø6
300 mm - Ø6



Coating

Chrome - Zinc

LOCKED WIRE HOOK DSG-K WITH LABEL

Item code: 06.AKS.002

(d x diameter)

200 mm - Ø5
300 mm - Ø6
400 mm - Ø6



Coating

Chrome - Zinc

WIRE HOOK DSG WITH LABEL

Item code: 06.AKS.005

(d x diameter)

150 mm - Ø5
200 mm - Ø5
250 mm - Ø6
300 mm - Ø6



Coating

Chrome - Zinc

DISPLAY ACCESSORIES

WIRE HOOK DSG DOUBLE

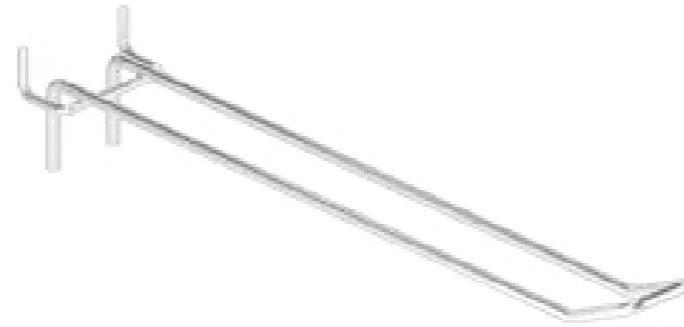
Item code: 06.AKS.006

(d x diameter)

150 mm - Ø4
200 mm - Ø4
250 mm - Ø5
300 mm - Ø5
400 mm - Ø5

Coating

Chrome - Zinc



WIRE HOOK ATG WITH LABEL

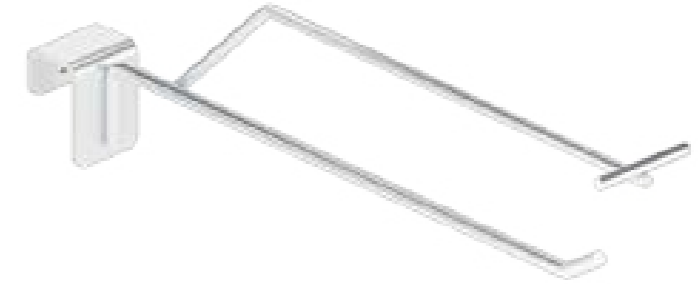
Item code: 06.AKS.009

(d x diameter)

150 mm - Ø5
200 mm - Ø5
250 mm - Ø6
300 mm - Ø6
400 mm - Ø8

Coating

Chrome - Zinc



WIRE HOOK DSG DOUBLE WITH LABEL

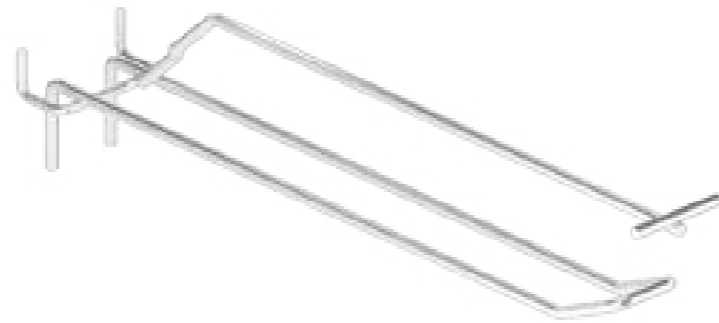
Item code: 06.AKS.007

(d x diameter)

150 mm - Ø4
200 mm - Ø4
250 mm - Ø5
300 mm - Ø5
400 mm - Ø5

Coating

Chrome - Zinc



WIRE HOOK ATG DOUBLE

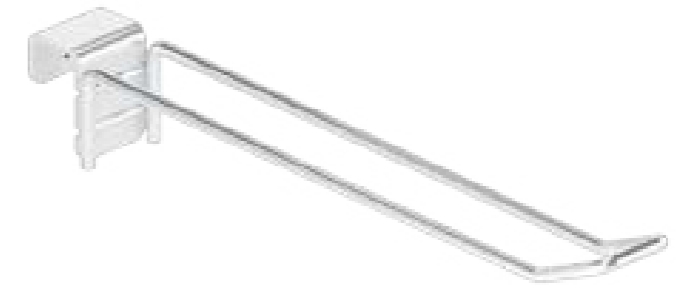
Item code: 06.AKS.010

(d x diameter)

150 mm - Ø4
200 mm - Ø4
250 mm - Ø5
300 mm - Ø5
400 mm - Ø5

Coating

Chrome - Zinc



WIRE HOOK ATG

Item code: 06.AKS.008

(d x diameter)

150 mm - Ø5
200 mm - Ø5
250 mm - Ø6
300 mm - Ø6
400 mm - Ø8

Coating

Chrome - Zinc



WIRE HOOK ATG DOUBLE WITH LABEL

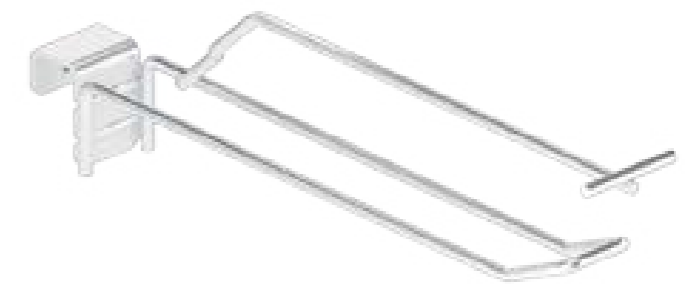
Item code: 06.AKS.011

(d x diameter)

150 mm - Ø4
200 mm - Ø4
250 mm - Ø5
300 mm - Ø5
400 mm - Ø5

Coating

Chrome - Zinc



DISPLAY ACCESSORIES

WIRE HOOK KPG

Item code: 06.AKS.012

(d x diameter)

150 mm - Ø5
200 mm - Ø5
250 mm - Ø6
300 mm - Ø6
400 mm - Ø6

Coating

Chrome - Zinc



WIRE HOOK KPG DOUBLE WITH LABEL

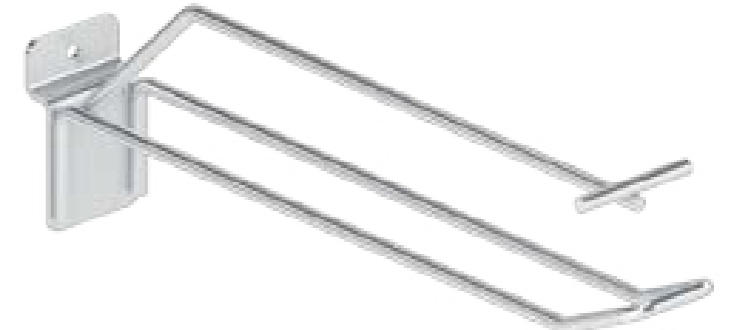
Item code: 06.AKS.015

(d x diameter)

150 mm - Ø4
200 mm - Ø4
250 mm - Ø5
300 mm - Ø5
400 mm - Ø5

Coating

Chrome - Zinc



WIRE HOOK KPG WITH LABEL

Item code: 06.AKS.013

(d x diameter)

150 mm - Ø5
200 mm - Ø5
250 mm - Ø6
300 mm - Ø6
400 mm - Ø6

Coating

Chrome - Zinc



WIRE HOOK MG

Item code: 06.AKS.016

(d x diameter)

150 mm - Ø5
200 mm - Ø5
250 mm - Ø6
300 mm - Ø6
400 mm - Ø8

Coating

Chrome - Zinc



WIRE HOOK KPG DOUBLE

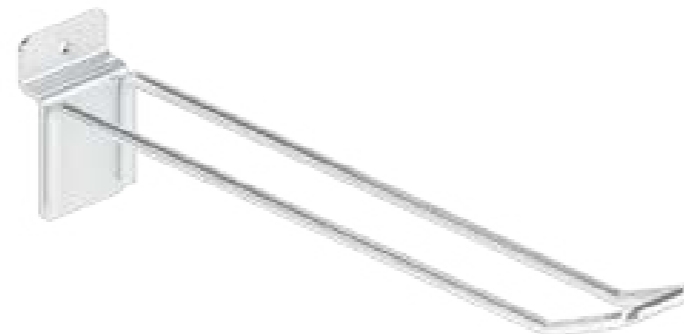
Item code: 06.AKS.014

(d x diameter)

150 mm - Ø4
200 mm - Ø4
250 mm - Ø5
300 mm - Ø5
400 mm - Ø5

Coating

Chrome - Zinc



WIRE HOOK MG WITH LABEL

Item code: 06.AKS.017

(d x diameter)

150 mm - Ø5
200 mm - Ø5
250 mm - Ø6
300 mm - Ø6
400 mm - Ø8

Coating

Chrome - Zinc



DISPLAY ACCESSORIES

WIRE HOOK MG DOUBLE

Item code: 06.AKS.018

(d x diameter)

150 mm - Ø4
200 mm - Ø4
250 mm - Ø5
300 mm - Ø5
400 mm - Ø5

Coating

Chrome - Zinc



WIRE HOOK MG DOUBLE WITH LABEL

Item code: 06.AKS.019

(d x diameter)

150 mm - Ø4
200 mm - Ø4
250 mm - Ø5
300 mm - Ø5
400 mm - Ø5

Coating

Chrome - Zinc



GRINDING HOLDER WIRE HOOK DSG

Item code: 06.AKS.020

(h x d)

85 x 200 mm

Coating

Chrome - Zinc - Powder coating



GRINDING HOLDER WIRE HOOK MG

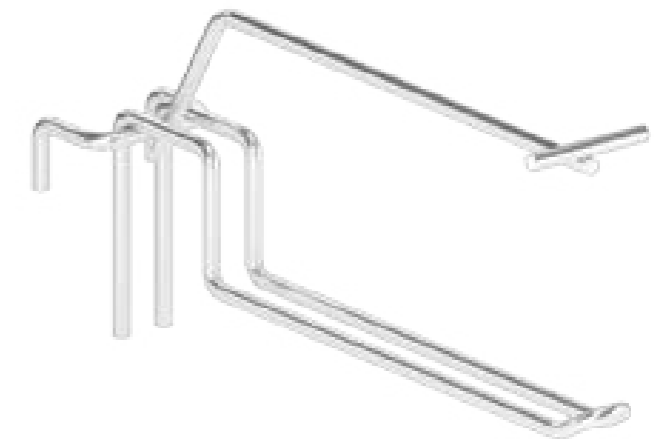
Item code: 06.AKS.021

(h x d)

85 x 200 mm

Coating

Chrome - Zinc - Powder coating



HIGH LABEL WIRE HOOK ATG

Item code: 06.AKS.022

(h x d)

60 x 100 mm - Ø5
60 x 150 mm - Ø5

Coating

Chrome - Zinc - Powder coating



DISPLAY ACCESSORIES

SHOVEL HOLDER SET ATG

Item code: 06.AKS.023

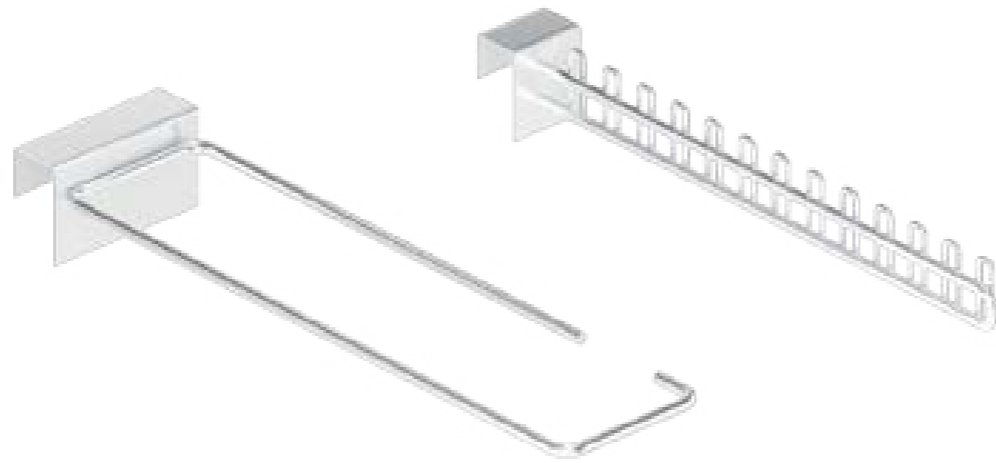
(d)

535 mm - Ø10



Coating

Chrome - Zinc - Powder coating



SLEDGE HOLDER ATG & DSG

Item code: 06.AKS.024

(h x d x l)

70 x 240 x 38 mm



Coating

Chrome - Zinc - Powder coating



HAMMER HOLDER ATG & DSG

Item code: 06.AKS.025

(h x d x l)

50 x 310 x 30 mm



Coating

Chrome - Zinc - Powder coating



TROWEL HOLDER DSG

Item code: 06.AKS.026

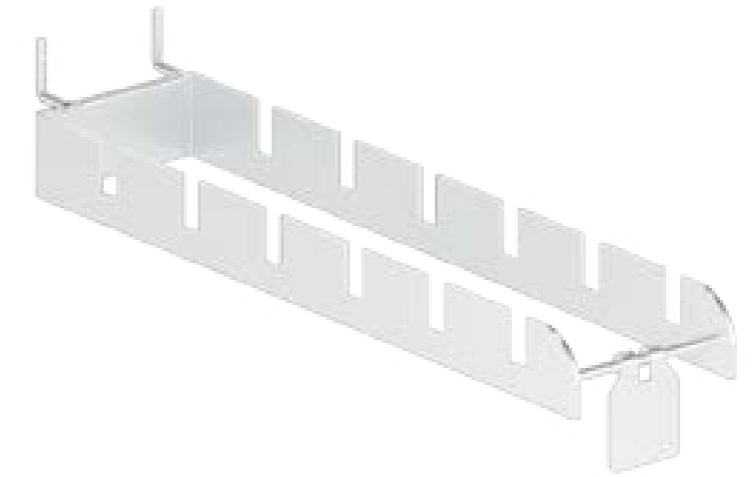
(d x l)

300 x 70 mm



Coating

Chrome - Zinc - Powder coating



TROWEL HOLDER ATG

Item code: 06.AKS.027

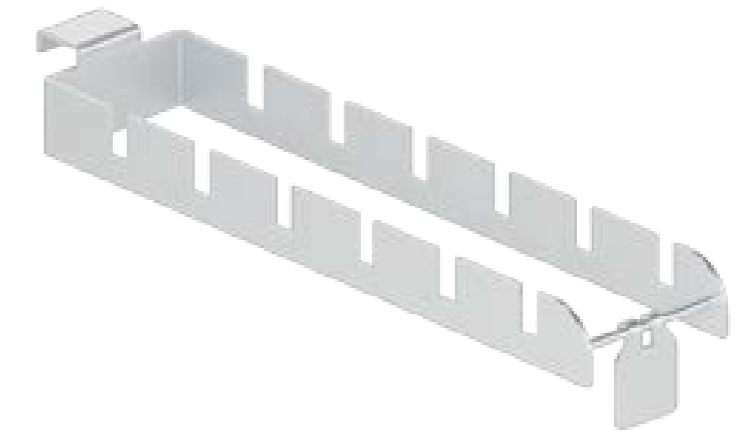
(d x l)

300 x 70 mm



Coating

Chrome - Zinc - Powder coating



ROLL HOLDER DSG-P & ATG

Item code: 06.AKS.028

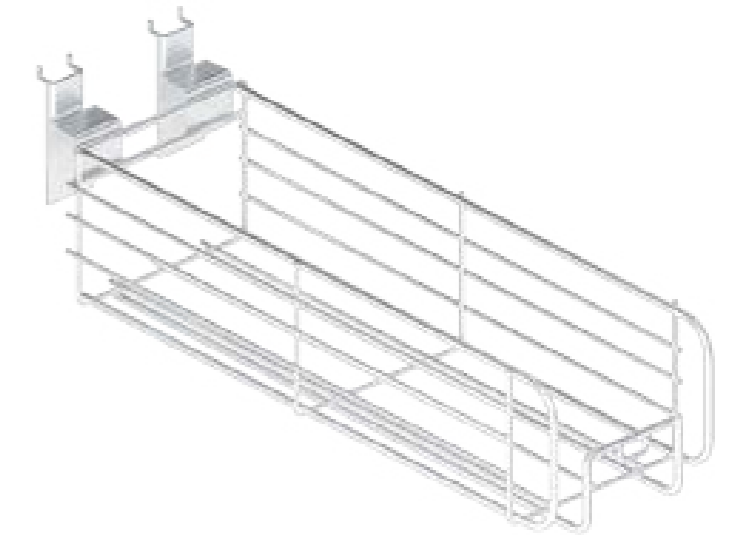
(h x d x l)

105 x 357 x 124 mm



Coating

Chrome - Zinc - Powder coating



DISPLAY ACCESSORIES

DUVET HOLDER ATG

Item code: 06.AKS.029

(d x diameter)

350 mm - Ø10

550 mm - Ø10



Coating

Chrome - Zinc - Powder coating



QUILT HOLDER ATG

Item code: 06.AKS.030

(d x diameter)

550 mm - Ø10



Coating

Chrome - Zinc - Powder coating



LAMPSHADE HOLDER ATG

Item code: 06.AKS.031

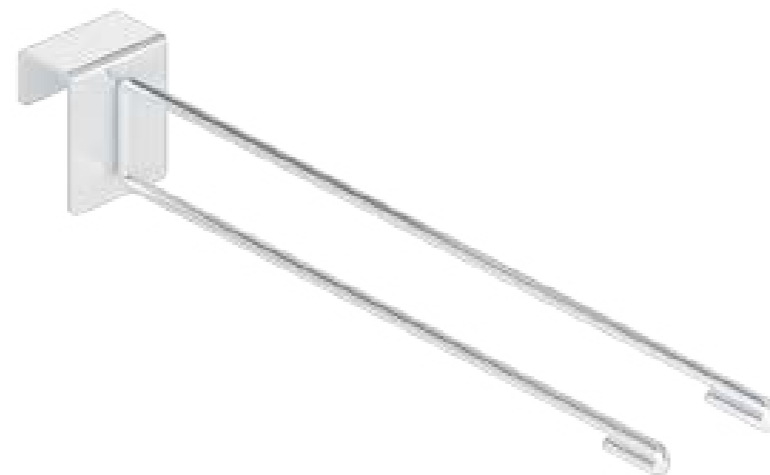
(h x d)

40 x 300 mm - Ø10



Coating

Chrome - Zinc - Powder coating



POT HOLDER ATG

Item code: 06.AKS.032

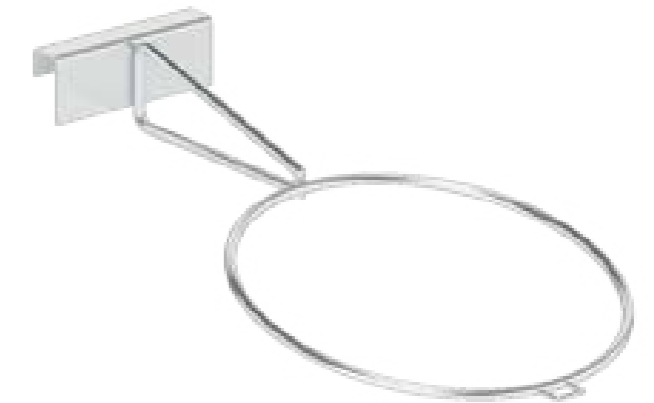
(d x l)

330 x 200 mm



Coating

Chrome - Zinc - Powder coating



POT HOLDER KPG

Item code: 06.AKS.033

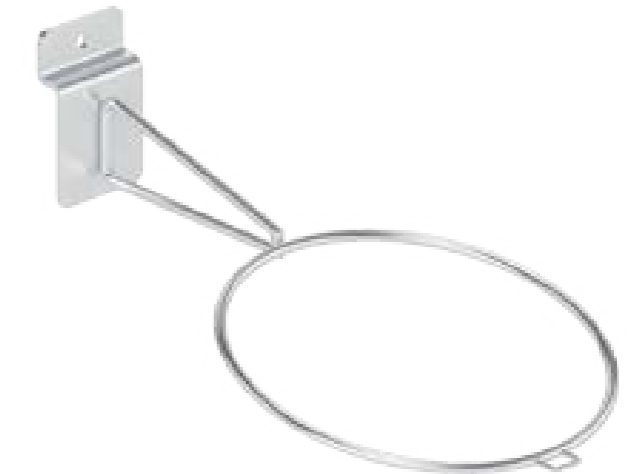
(d x l)

300 x 180 mm



Coating

Chrome - Zinc - Powder coating



SLEEPING BAG HOLDER TYPE 1

Item code: 06.AKS.034

(h x d x l)

300 x 80 x 560 mm



Coating

Powder coating



DISPLAY ACCESSORIES

MIRROR HOLDER KPG

Item code: 06.AKS.035

(d x l)

15 x 50 mm



Coating

Chrome - Zinc - Powder coating



*iki adet kullanılır.

PRODUCT PRESENTER KPG

Item code: 06.AKS.038

(d x l)

50 x 40 mm

Coating

Chrome - Zinc - Powder coating



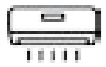
*iki adet kullanılır.

AIR CONDITIONER HOLDER ATG

Item code: 06.AKS.036

(d x l)

12 x 18 mm



Coating

Chrome - Zinc - Powder coating



*iki adet kullanılır.

PRODUCT SEPARATOR KPG

Item code: 06.AKS.039

(h x d)

100 x 400 mm

Coating

Chrome - Zinc - Powder coating

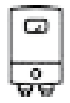


HEATING BOILER HOLDER ATG

Item code: 06.AKS.037

(d x l)

50 x 18 mm



Coating

Chrome - Zinc - Powder coating



*iki adet kullanılır.

PRODUCT SEPARATOR ATG

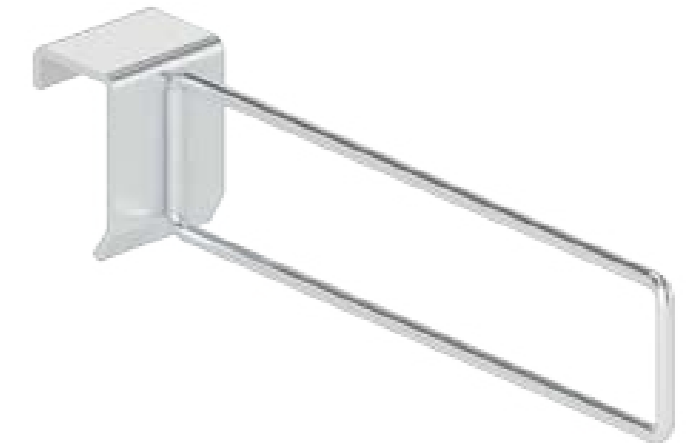
Item code: 06.AKS.040

(h x d)

100 x 400 mm

Coating

Chrome - Zinc - Powder coating



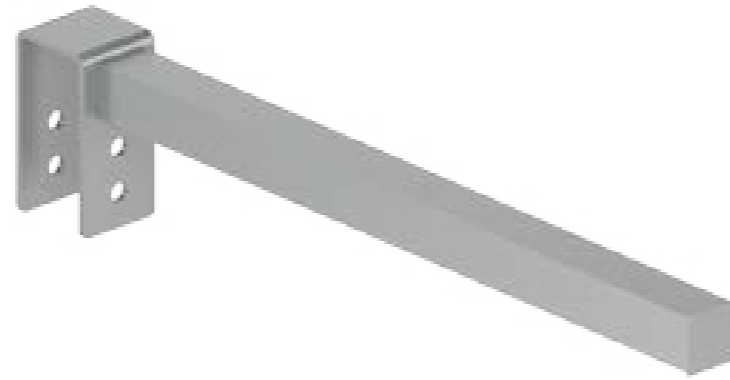
DISPLAY ACCESSORIES

PRODUCT SEPARATOR PROFILE ATG

Item code: 06.AKS.042

(d)

400 mm 25x25 profile
500 mm
600 mm



Coating

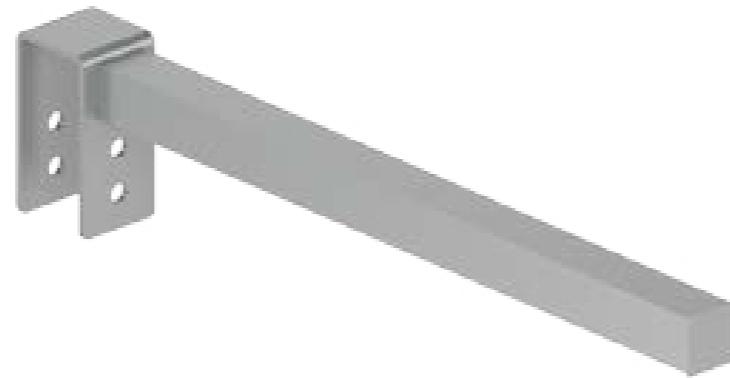
Powder coating

PRODUCT SEPARATOR PROFILE TRV

Item code: 06.AKS.043

(d)

400 mm 25x25 profile
500 mm For 40 mm beam.
600 mm
700 mm



Coating

Powder coating

PRODUCT SEPARATOR TUBE ATG

Item code: 06.AKS.044

(d)

400 mm Ø21 profile
500 mm
600 mm



Coating

Powder coating

PRODUCT SEPARATOR TUBE TRV

Item code: 06.AKS.045

(d)

400 mm Ø21 profile
500 mm For 40 mm beams.
600 mm
700 mm



Coating

Powder coating

PRODUCT SEPARATOR ATG

Item code: 06.AKS.046

(h x d)

(500 / 1000) x 400 mm
(500 / 1000) x 500 mm
(500 / 1000) x 600 mm

Ø10 wire

The product requires x2 accessory bars.

Coating

Powder coating



DISPLAY ACCESSORIES

TOILET SEAT COVER HOLDER ATG

Item code: 06.AKS.047

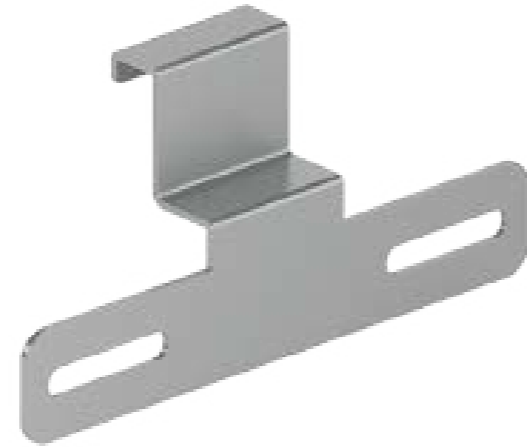
(h x d x l)

85 x 40 x 180 mm



Coating

Powder coating



TOILET SEAT COVER HOLDER TRY

Item code: 06.AKS.048

(h x d x l)

85 x 40 x 180 mm



Coating

Powder coating



TOILET TANK KIT HOLDER ATG

Item code: 06.AKS.049

(h x d x l)

305 x 122 x 250 mm



Coating

Powder coating



SINGLE VERTICAL BATTERY HOLDER ATG TYPE 1

Item code: 06.AKS.050

(h x d x l)

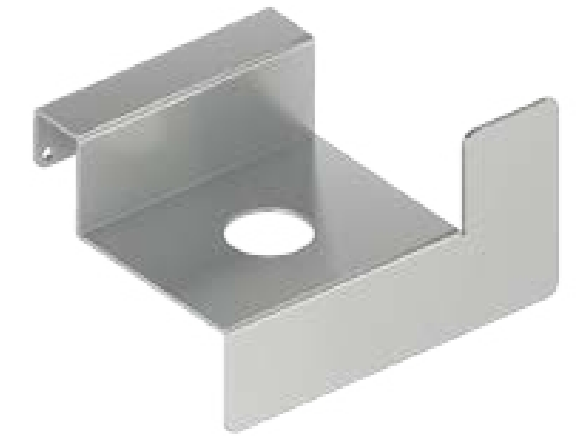
78 x 103 x 142 mm

Slot Diameter
Ø30 mm
Ø40 mm



Coating

Powder coating



SINGLE VERTICAL BATTERY HOLDER ATG TYPE 2

Item code: 06.AKS.051

(h x d x l)

120 x 100 x 114 mm

Slot Diameter
Ø30 mm
Ø40 mm



Coating

Powder coating



DOUBLE HORIZONTAL BATTERY HOLDER ATG TYPE 2

Item code: 06.AKS.052

(h x d x l)

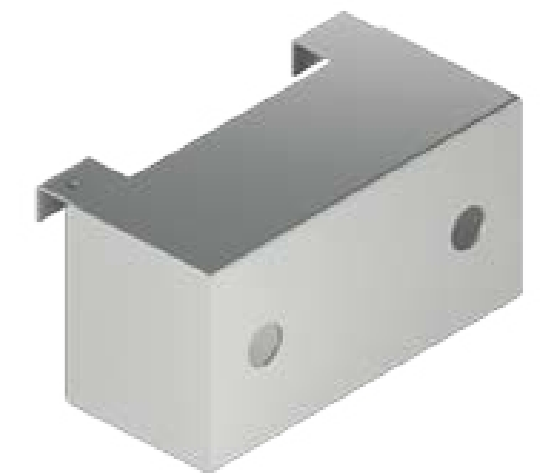
120 x 100 x 229 mm

Slot Diameter
Ø30 mm
Ø40 mm



Coating

Powder coating



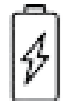
DISPLAY ACCESSORIES

COUNTER TOP BATTERY STAND

Item code: 06.AKS.053

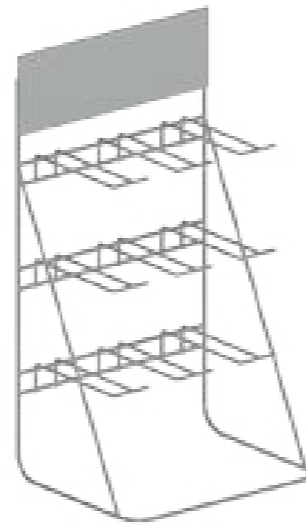
(h x d x l)

498 x 220 x 285 mm



Coating

Powder coating

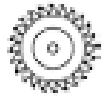


GRINDING STAND

Item code: 06.AKS.054

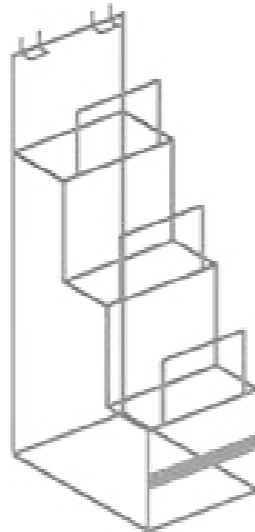
(h x d x l)

500 x 240 x 160 mm



Coating

Powder coating



HANDLE HOLDER DSG

Item code: 06.AKS.055

(h x d x l)

250 x 300 x 300 mm

Coating

Powder coating



SHELF FRONT DISPLAY STAND

Item code: 06.AKS.056

(h x d x l)

1310 x 140 x 150 mm

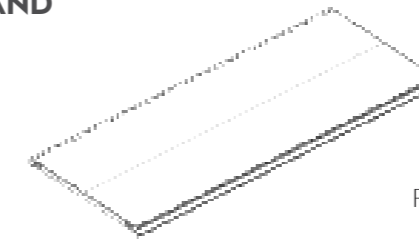
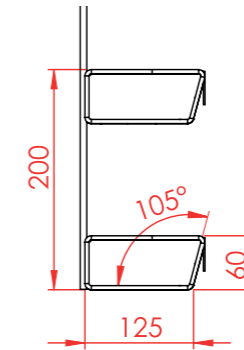
Basket Dimension

(h x d x l)

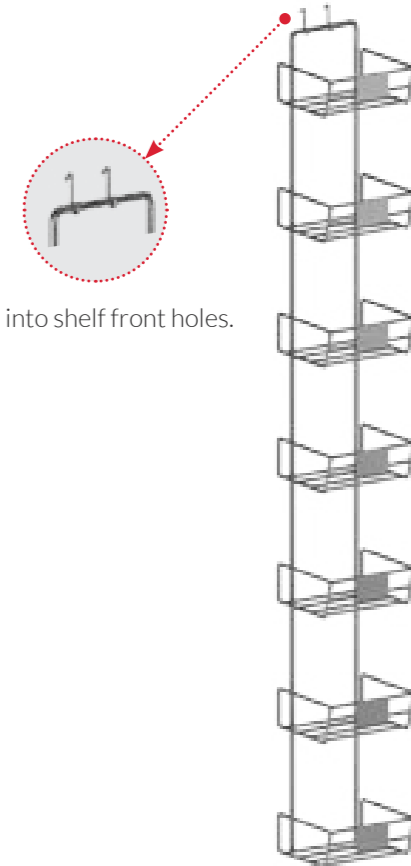
60 x 125 x 150 mm

Coating

Powder coating



Fixs into shelf front holes.



SHELF FRONT DISPLAY BASKET

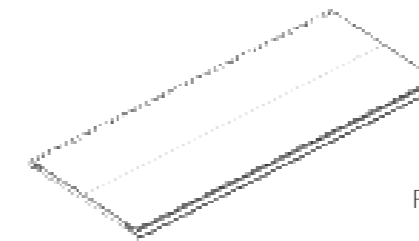
Item code: 06.AKS.057

(h x d x l)

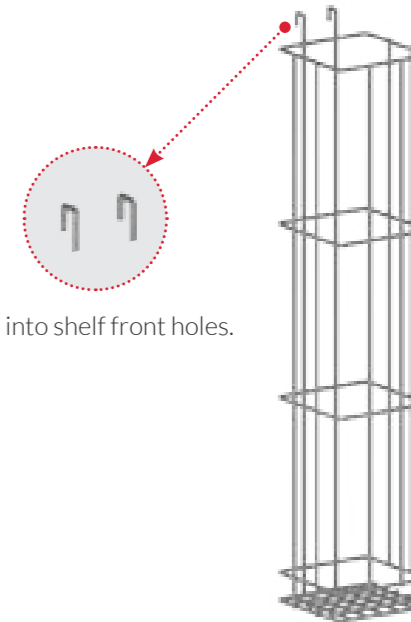
1000 x 150 x 150 mm

Coating

Powder coating



Fixs into shelf front holes.



DISPLAY ACCESSORIES

HAIR DRYER HOLDER ATG

Item code: 06.AKS.058

(h x d x l)

255 x 230 x 105 mm



Coating

Chrome – Powder coating



HAIR DRYER HOLDER KPG

Item code: 06.AKS.059

(h x d x l)

255 x 230 x 105 mm



Coating

Chrome – Powder coating



CURLING IRON HOLDER ATG

Item code: 06.AKS.060

(h x d x l)

230 x 330 x 60 mm



Coating

Chrome – Powder coating



CURLING IRON HOLDER KPG

Item code: 06.AKS.061

(h x d x l)

230 x 330 x 60 mm



Coating

Chrome – Powder coating



IRON HOLDER ATG

Item code: 06.AKS.062

(h x d x l)

150 x 160 x 150 mm



Coating

Chrome – Powder coating



IRON HOLDER KPG

Item code: 06.AKS.063

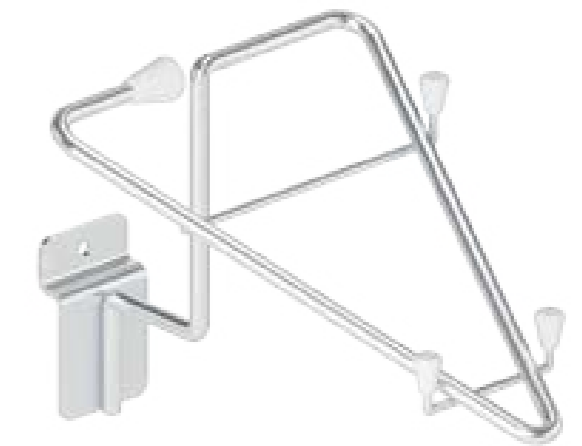
(h x d x l)

150 x 160 x 150 mm



Coating

Chrome – Powder coating



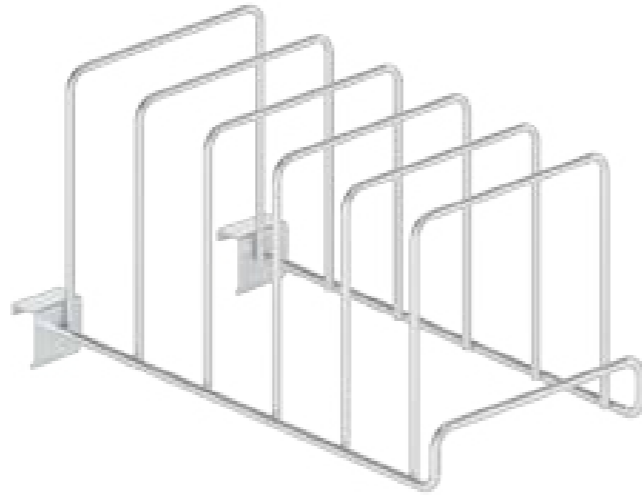
DISPLAY ACCESSORIES

PLATE HOLDER ATG

Item code: 06.AKS.064

(h x d x l)

135 x 420 x 130 mm



Coating

Chrome - Powder coating

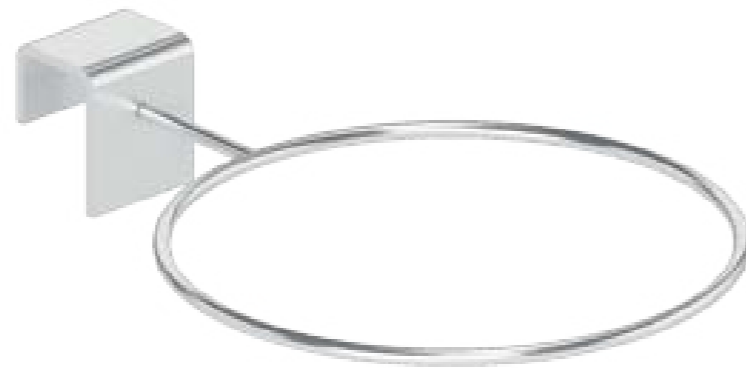
BALL HOLDER ATG

Item code: 06.AKS.065

(d x l)

270 x 200 mm

Hoop Diameter
200 mm



Coating

Chrome - Powder coating

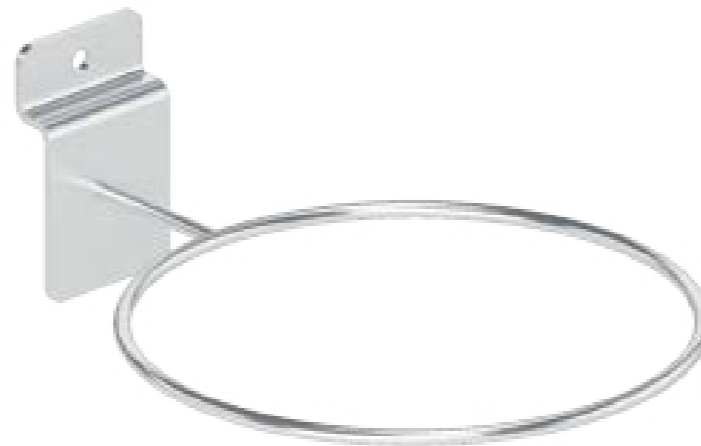
BALL HOLDER KPG

Item code: 06.AKS.066

(d x l)

270 x 200 mm

Hoop Diameter
200 mm



Coating

Chrome - Powder coating

BALL HOLDER ATG

Item code: 06.AKS.067

(h x d x l)

500 x 525 x 150 mm



Coating

Chrome - Powder coating

BALL HOLDER OTG

Item code: 06.AKS.068

(h x d x l)

500 x 525 x 150 mm



Coating

Chrome - Powder coating

REINFORCED BALL HOLDER OTG

Item code: 06.AKS.069

(h x d x l)

25 x 250 x 150 mm

Hoop Diameter
150 mm



Coating

Chrome - Powder coating

DISPLAY ACCESSORIES

SKATE HOLDER ATG

Item code: 06.AKS.070

(h x d x l)

85 x 440 x 205 mm



Coating

Chrome – Powder coating



SKATE HOLDER OTG

Item code: 06.AKS.071

(h x d x l)

85 x 440 x 205 mm



Coating

Chrome – Powder coating



SKATEBOARD HOLDER ATG

Item code: 06.AKS.072

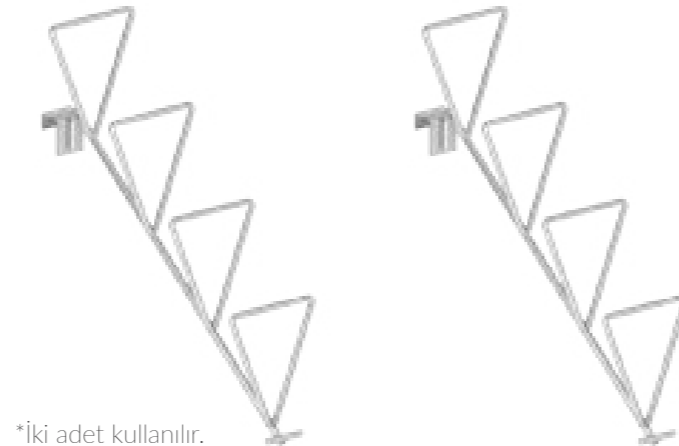
(h x d x l)

330 x 400 x 120 mm



Coating

Chrome – Powder coating



SKATEBOARD HOLDER OTG

Item code: 06.AKS.073

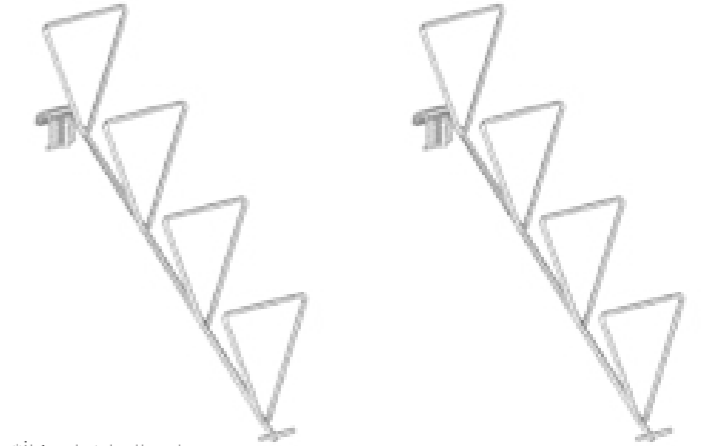
(h x d x l)

330 x 400 x 120 mm



Coating

Chrome – Powder coating



PRODUCT HOLDER WIRE HOOK OTG

Item code: 06.AKS.074

(d)

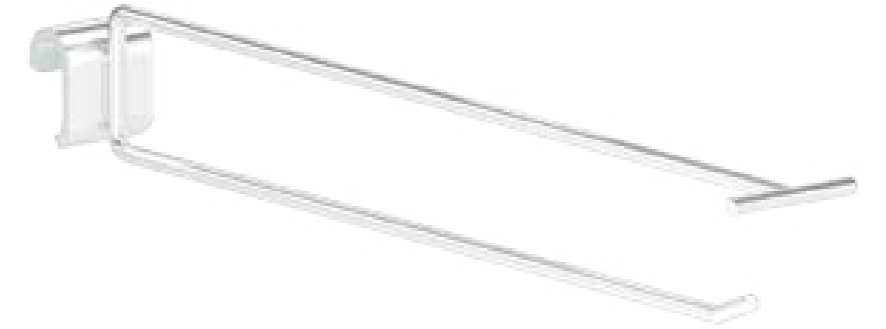
250 mm – Ø6

300 mm – Ø6

400 mm – Ø6

Coating

Chrome – Powder coating



SLEEPING BAG HOLDER TYPE 2

Item code: 06.AKS.075

(h x l)

457 x 557 mm



Coating

Chrome – Powder coating



DISPLAY ACCESSORIES

STRAIGHT HANGER OVAL ATG

Item code: 06.AKS.076

(d)

300 mm - Single pin
400 mm - Single pin



Coating

Chrome - Powder coating 15x30 oval profile.

STRAIGHT HANGER OVAL KPG

Item code: 06.AKS.077

(d)

300 mm - Single pin
400 mm - Single pin



Coating

Chrome - Powder coating 15x30 oval profile.

STRAIGHT HANGER TUBE ATG

Item code: 06.AKS.078

(d)

300 mm - Single pin
400 mm - Single pin



Coating

Chrome - Powder coating Ø25 profile.

STRAIGHT HANGER TUBE KPG

Item code: 06.AKS.079

(d)

300 mm - Single pin
400 mm - Single pin



Coating

Chrome - Powder coating Ø25 profile.

OVAL STRAIGHT HOLDER STAINLESS WIRE ATG

Item code: 06.AKS.080

(d)

300 mm - Single pin
400 mm - Single pin

A wire support is used to protect the coating from hanging traces.



Coating

Powder coating 15x30 oval profile.

TUBE STRAIGHT HANGER STAINLESS WIRE ATG

Item code: 06.AKS.081

(d)

300 mm - Single pin
400 mm - Single pin

A wire support is used to protect the coating from hanging traces.



Coating

Powder coating Ø25 profile.

DISPLAY ACCESSORIES

SLOPING HANGER OVAL ATG

Item code: 06.AKS.082

(d)

300 mm – 6 pins
400 mm – 8 pins

Coating

Chrome – Powder coating 15x30 oval profile.



SLOPING HANGER OVAL KPG

Item code: 06.AKS.083

(d)

300 mm – 6 pins
400 mm – 8 pins

Coating

Chrome – Powder coating 15x30 oval profile.



SLOPING HANGER TUBE ATG

Item code: 06.AKS.084

(d)

300 mm – 6 pins
400 mm – 8 pins

Coating

Chrome – Powder coating Ø25 profile.



SLOPING HANGER TUBE KPG

Item code: 06.AKS.085

(d)

300 mm – 6 pins
400 mm – 8 pins

Coating

Chrome – Powder coating Ø25 profile.



OVAL STEPPED HANGER ATG

Item code: 06.AKS.086

(d)

300 mm – 150 + 150
400 mm – 200 + 200

Coating

Chrome – Powder coating 15x30 oval profile.



OVAL STEPPED HANGER KPG

Item code: 06.AKS.087

(d)

300 mm – 150 + 150
400 mm – 200 + 200

Coating

Chrome – Powder coating 15x30 oval profile.



DISPLAY ACCESSORIES

TUBE STEPPED HANGER ATG

Item code: 06.AKS.088

(d)

300 mm - 150+150
400 mm - 200+200

Coating

Chrome - Powder coating Ø25 profile.



TUBE STEPPED HANGER KPG

Item code: 06.AKS.089

(d)

300 mm - 150+150
400 mm - 200+200

Coating

Chrome - Powder coating Ø25 profile.



OVAL STRAIGHT HANGER STAINLESS WIRE OTG

Item code: 06.AKS.090

(d)

300 mm
400 mm

A wire support is used to protect the coating from hanging traces.

Coating

Chrome - Powder coating 15x30 oval profile.



OVAL STEPPED HANGER STAINLESS WIRE OTG

Item code: 06.AKS.091

(d)

300 mm - 150+150
400 mm - 200+200

A wire support is used to protect the coating from hanging traces.

Coating

Chrome - Powder coating 15x30 oval profile.



OVAL U HANGER BAR DG

Item code: 06.AKS.092

(d x l)

(300 / 400) x 600 mm
(300 / 400) x 700 mm
(300 / 400) x 900 mm
(300 / 400) x 1000 mm
(300 / 400) x 1250 mm

Coating

Chrome 15x30 oval profile.



OVAL U HANGER BAR KPG

Item code: 06.AKS.093

(d x l)

(300 / 400) x 600 mm
(300 / 400) x 700 mm
(300 / 400) x 900 mm
(300 / 400) x 1000 mm

Coating

Chrome 15x30 oval profile.



DISPLAY ACCESSORIES

REEL ROLL HOLDER RACK DG

Item code: 06.AKS.094

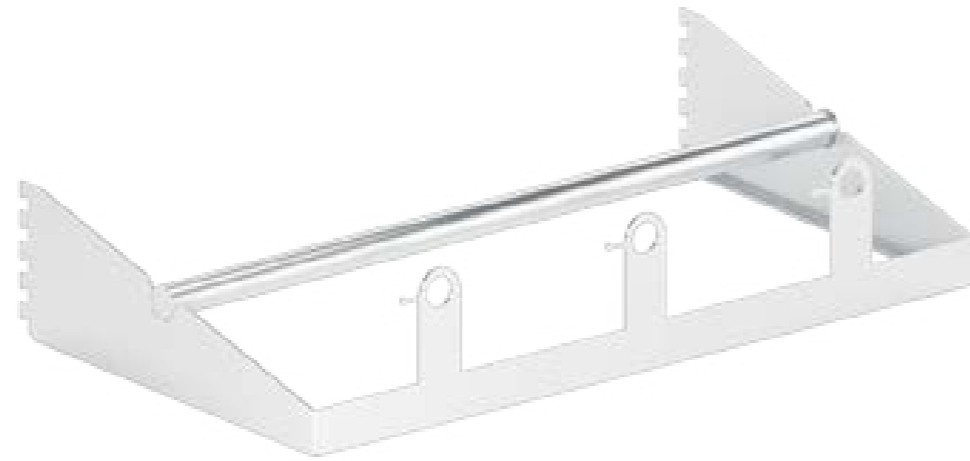
(d x l)

370 x 700 mm (3 Rolls)
370 x 1000 mm (4 Rolls)
370 x 1250 mm (5 Rolls)



Coating

Chrome – Powder coating



*Specially designed for 25 pitches and 35 pitches.

BASKET RACK FIX ATG TYPE 1

Item code: 06.AKS.097

(h x d x l)

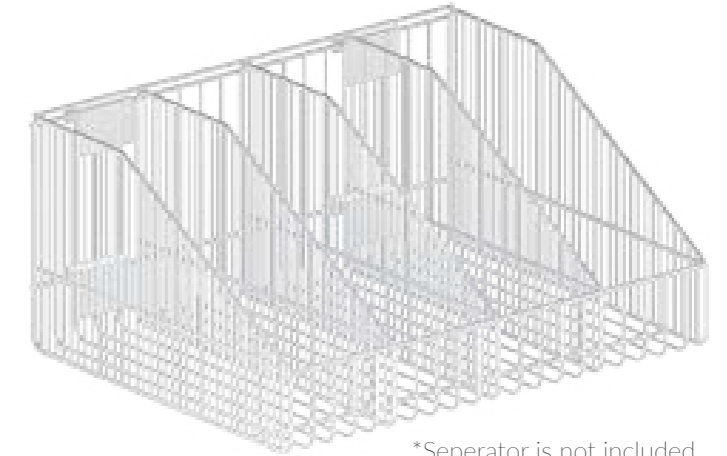
300 x (300 / 400 / 500) x 640 mm
300 x (300 / 400 / 500) x 880 mm

BASKET RACK FIX SEPARATOR

Ürün kodu: 06.AKS.097.01

Coating

Chrome – Powder coating



*Seperator is not included.

SHELF TOP BASKET RACK

Item code: 06.AKS.095

(h x d x l)

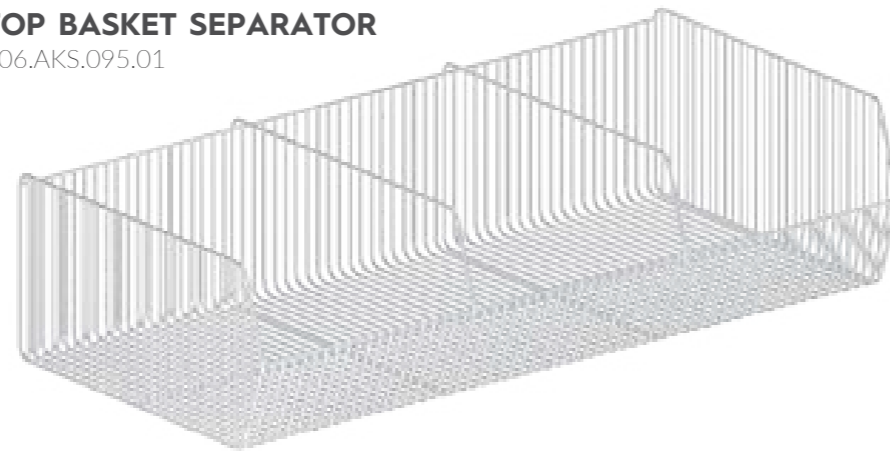
300 x (300 / 400 / 500 / 600) x 700 mm
300 x (300 / 400 / 500 / 600) x 900 mm
300 x (300 / 400 / 500 / 600) x 1250 mm
300 x (300 / 400 / 500 / 600) x 1000 mm

Coating

Chrome – Powder coating

SHELF TOP BASKET SEPARATOR

Item code: 06.AKS.095.01



*Seperator is not included.

BASKET RACK SOV ATG

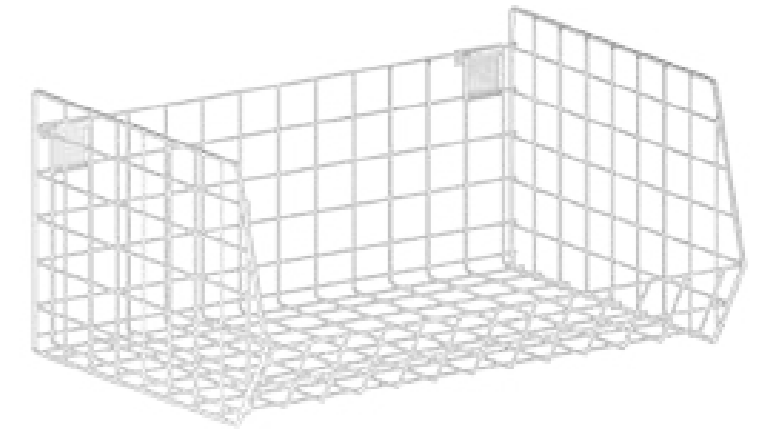
Item code: 06.AKS.098

(h x d x l)

260 x 450 x 640 mm

Coating

Chrome – Powder coating



BASKET RACK DG

Item code: 06.AKS.096

(h x d x l)

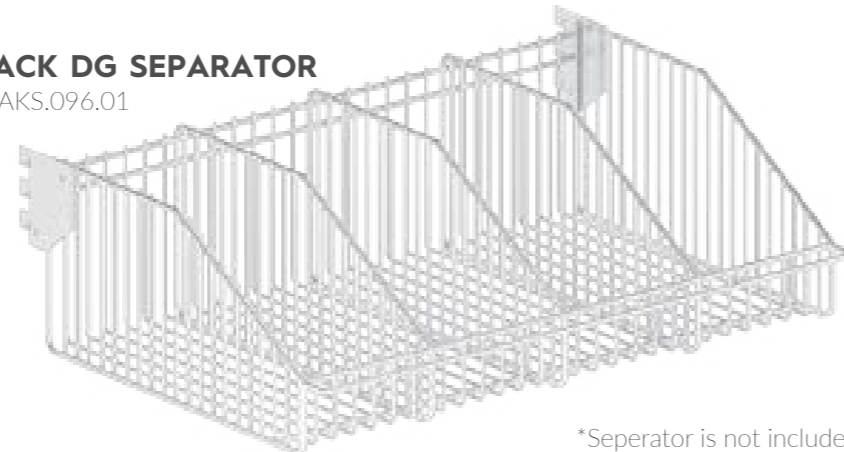
300 x (300 / 400 / 500 / 600) x 700 mm
300 x (300 / 400 / 500 / 600) x 900 mm
300 x (300 / 400 / 500 / 600) x 1250 mm
300 x (300 / 400 / 500 / 600) x 1000 mm

Coating

Chrome – Powder coating

BASKET RACK DG SEPARATOR

Item code: 06.AKS.096.01



*Seperator is not included.
*Specially designed for 25 pitches and 35 pitches.

BASKET RACK SOV OTG

Item code: 06.AKS.099

(h x d x l)

260 x 450 x 640 mm

Coating

Chrome – Powder coating



DISPLAY ACCESSORIES

BASKET RACK MINI ATG

Item code: 06.AKS.100

(h x d x l)

150 x 400 x 200 mm



Coating

Chrome - Powder coating

BASKET RACK MINI OTG

Item code: 06.AKS.101

(h x d x l)

150 x 400 x 200 mm



Coating

Chrome - Powder coating

BASKET RACK MINI KPG

Item code: 06.AKS.102

(h x d x l)

150 x 400 x 200 mm



Coating

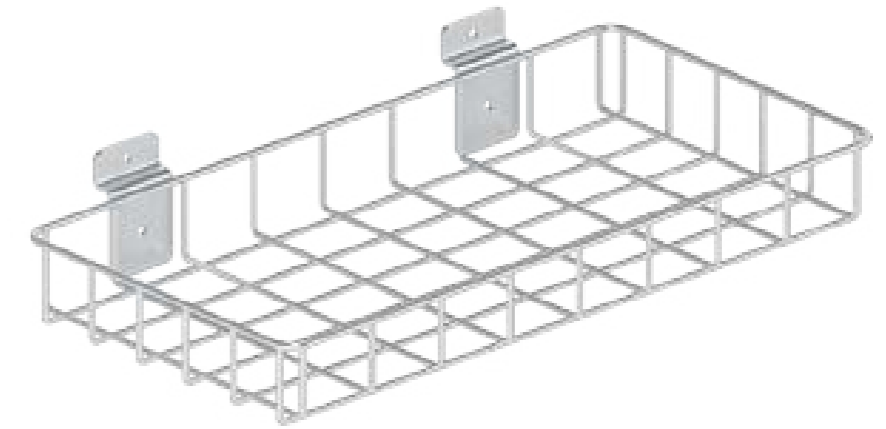
Chrome - Powder coating

BASKET RACK KPG

Item code: 06.AKS.103

(h x d x l)

75 x 250 x 450 mm



Coating

Chrome - Powder coating

WIRE SHELF DG 25

Item code: 06.AKS.104

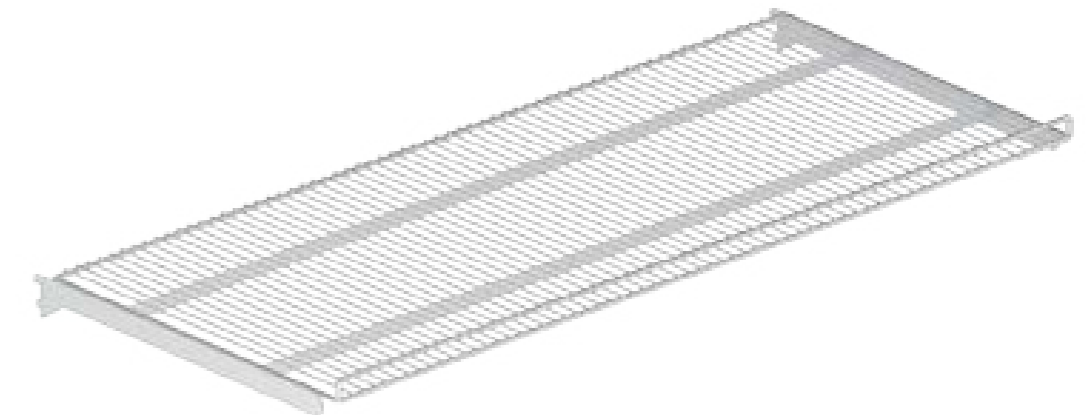
(d x l)

(300 / 400 / 500) x 700 mm

(300 / 400 / 500) x 900 mm

(300 / 400 / 500) x 1000 mm

(300 / 400 / 500) x 1250 mm



Coating

Chrome - Powder coating

Brackets included.

WIRE SHELF DG 35

Item code: 06.AKS.105

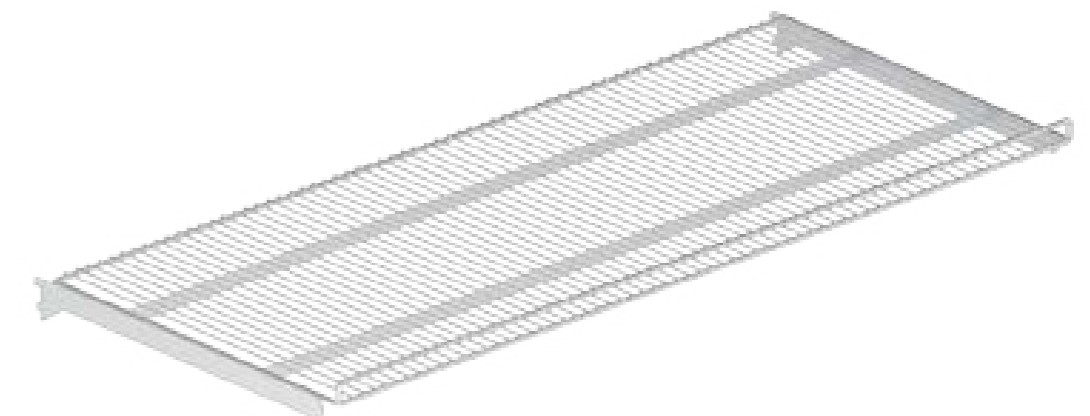
(d x l)

(300 / 400 / 500) x 700 mm

(300 / 400 / 500) x 900 mm

(300 / 400 / 500) x 1000 mm

(300 / 400 / 500) x 1250 mm



Coating

Chrome - Powder coating

Brackets included.

DISPLAY ACCESSORIES

ACCESSORY HOLDER BAR (20*30) SINGLE FIXING LEDGE

Item code: 06.AKS.106

(h x d x l)

20 x 30 x 700 mm
20 x 30 x 900 mm
20 x 30 x 1000 mm
20 x 30 x 1250 mm
20 x 30 x 1330 mm

Coating

Chrome - Powder coating



OVAL ACCESSORY HOLDER BAR (15*30) SINGLE FIXING LEDGE

Item code: 06.AKS.109

(h x d x l)

15 x 30 x 700 mm
15 x 30 x 900 mm
15 x 30 x 1000 mm
15 x 30 x 1250 mm
15 x 30 x 1330 mm

Coating

Chrome - Powder coating



ACCESSORY HOLDER BAR (20*40) SINGLE FIXING LEDGE

Item code: 06.AKS.107

(h x d x l)

20 x 40 x 700 mm
20 x 40 x 900 mm
20 x 40 x 1000 mm
20 x 40 x 1250 mm
20 x 40 x 1330 mm

Coating

Chrome - Powder coating



PLASTIC WIRE HOOK LABEL

Item code: 06.AKS.110

(h x l)

39 x 45 mm
39 x 60 mm
39 x 90 mm



ACCESSORY HOLDER BAR (15*30) SINGLE FIXING LEDGE

Item code: 06.AKS.108

(h x d x l)

15 x 30 x 700 mm
15 x 30 x 900 mm
15 x 30 x 1000 mm
15 x 30 x 1250 mm
15 x 30 x 1330 mm

Coating

Chrome - Powder coating



PLASTIC DOUBLE WIRE HOOK LABEL

Item code: 06.AKS.111

(h x l)

36 x 20 mm



METAL DOUBLE WIRE HOOK LABEL

Item code: 06.AKS.112

(h x l)

36 x 20 mm

Coating

Zinc





06

HANDLING EQUIPMENT

Handling equipment are your best assistants in your store and warehouse. Shopping trolleys are the face of your store. One of the equipment that is used directly by your customers. That's why shopping trolleys should be durable, hygienic and comfortable. Cargo trolleys increase the efficiency of your store. They also should be very durable and long-lasting. Wizard Retail's range of shopping and cargo trolleys are designed considering all these requirements.

HANDLING EQUIPMENT

The most popular model in the world with its solid chassis structure. It offers a solid and dynamic comfort with its oval profile chassis. With capacities ranging from 80 liters to 240 liters, a VENUS series shopping trolley is suitable for any store, in any size.

VENUS SHOPPING TROLLEYS

Item code: 07.MRA.001



Plastic Part Color Options

Standard Color	RAL 3020
Optional	RAL 5015
Optional	RAL 6018
Optional	RAL 2004
Optional	RAL 1023

Stylish and strong with its "all-wire" structure. You can use the upper basket more efficiently by moving the bottled or boxed products to the extra space at the bottom. Thus, you can have an increased turnover with this higher total capacity. Ranging from 80 to 240 liters, a NEPTUN series shopping trolley adds efficiency to every store.

NEPTUN SHOPPING TROLLEYS

Item code: 07.MRA.002



Plastic Part Color Options

Standard Color	RAL 3020
Optional	RAL 5015
Optional	RAL 6018
Optional	RAL 2004
Optional	RAL 1023

Capacity (lt)	80 lt.	100 lt.	125 lt.	150 lt.	180 lt.	210 lt.	240 lt.
Max Load (kg)	75 kg.	90 kg	100 kg	130 kg	150 kg	160 kg	180 kg
Height (H)	950 mm	950 mm	1010 mm	1010 mm	1020 mm	1010 mm	1000 mm
Width (D)	510 mm	510 mm	550 mm	570 mm	590 mm	570 mm	590 mm
Length (L)	850 mm	860 mm	900 mm	990 mm	1020 mm	1100 mm	1120 mm
Nesting Distance (R)	215 mm	215 mm	215 mm	240 mm	200 mm	250 mm	300 mm
40" HC Container	600	600	500	550	570	436	364
Truck	580	580	448	496	496	400	400

Capacity (lt)	80 lt.	100 lt.	125 lt.	150 lt.	180 lt.	210 lt.	240 lt.
Max Load (kg)	75 kg.	90 kg	100 kg	130 kg	150 kg	160 kg	180 kg
Height (H)	960 mm	960 mm	960 mm	1000 mm	1040 mm	1050 mm	1060 mm
Width (D)	510 mm	510 mm	550 mm	580 mm	585 mm	570 mm	590 mm
Length (L)	800 mm	860 mm	890 mm	1020 mm	1030 mm	1100 mm	1120 mm
Nesting Distance (R)	190 mm	190 mm	225 mm	245 mm	245 mm	245 mm	230 mm
40" HC Container	650	630	550	440	440	440	460
Truck	580	580	448	496	496	400	400

HANDLING EQUIPMENT

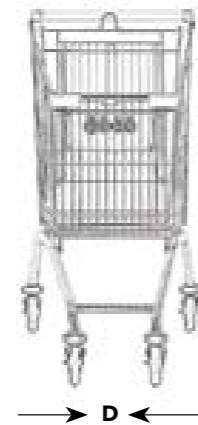
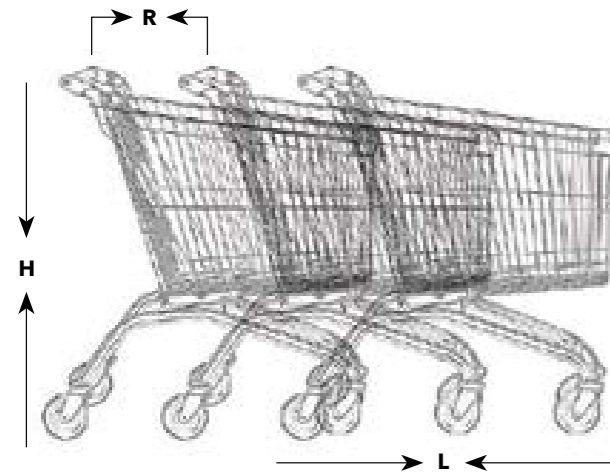
NOVA SHOPPING TROLLEY

Item code: 07.MRA.003

Turnover hunter” of small stores! Offering a volume of 115 liters and thanks to its deep basket design, NOVA has the smallest size compared to its counterparts. Designed for narrow aisles, NOVA is an ideal choice for 300 to 800 square meter stores. NOVA, which is the choice of the biggest discount chains in the world, offers consumers a comfortable shopping experience.

Plastic Part Color Options

Standard Color	RAL 3020
Optional	RAL 5015
Optional	RAL 6018
Optional	RAL 2004
Optional	RAL 1023



Capacity (lt)	120 lt.
Max Load (kg)	98 kg.
Height (H)	872 mm
Width (D)	545 mm
Length (L)	987 mm
Nesting Distance (R)	165 mm
40" HC Container	650
Truck	472

LOOP PLASTIC SHOPPING TROLLEYS

Item code: 07.MRA.004

LOOP, the new generation plastic shopping trolley, offers maximum volume in minimum dimensions; thanks to its ergonomic chassis structure. LOOP is the ideal choice for narrow aisles.

With 3 different sizes, LOOP adds aesthetics and efficiency to your modern store concepts.

Plastic Parts Color Options

Main Basket	RAL 7021
Handle Color	RAL 3020
Handle Color	Pantone 123C
Handle Color	Pantone 375C
Handle Color	Pantone 287C

Capacity (lt)	100 lt.	160 lt.	200 lt.
Max Load (kg)	100 kg.	150 kg.	190 kg.
Height (H)	1012 mm	1107 mm	1081 mm
Width (D)	567 mm	597 mm	587 mm
Length (L)	587 mm	847 mm	1050 mm
Nesting Distance (R)	125 mm	225 mm	215 mm
10 Trolleys Length	1712 mm	2782 mm	2985 mm



HANDLING EQUIPMENT

MERKUR PLASTIC SHOPPING TROLLEY

Item code: 07.MRA.005

Reflecting an elegant and strong look, MERKUR is stylish, sturdy, light and comfortable with its fiber reinforced strong plastic chassis and UV protected upper basket.

MODEL

Plastic Chassis
Metal Chassis

Capacity (lt)	100 lt.
Max Load (kg)	80 kg.
Height (H)	940 mm
Width (D)	570 mm
Length (L)	860 mm
Nesting Distance (R)	180 mm
40" HC Container	550
Truck	700

Plastic Parts Color Options

Chassis	RAL 7024
Basket	RAL 5015
Basket	RAL 6018
Basket	RAL 3020
Basket	RAL 2004



JUPITER PLASTIC SHOPPING TROLLEY

Item code: 07.MRA.006

JUPITER has a strong structure with its fiber reinforced plastic chassis. The transparent compact advertising area on the plastic handle helps you promote your brand or on sale products. The optional lower tray provides an area for boxed products, keeping the basket volume intact. Very light, very comfortable.

Plastic Color Options

Chassis	RAL 7024
Basket	RAL 5015
Basket	RAL 6018
Basket	RAL 3020
Basket	RAL 2004

Capacity (lt)	150 lt.
Max Load (kg)	120 kg.
Height (H)	970 mm
Width (D)	590 mm
Length (L)	960 mm
Nesting Distance (R)	210 mm
40" HC Container	400
Truck	500





HANDLING EQUIPMENT

SWEET PLASTIC KIDS SHOPPING TROLLEY

Item code: 07.MRA.007

SWEET is designed for the shopping pleasure of kids along with their parents. With its 20 liter capacity plastic baskets in two different colors, the cheerful-looking SWEET will make children love shopping.

Plastic Color Options

	Basket	RAL 3020
	Basket	RAL 5015

Capacity	20 lt.
Height (H)	720 mm
Width (D)	375 mm
Height with Pole	1470 mm
Ads Area	50x130 mm
Flag	Optional





CUTE KIDS SHOPPING TROLLEY

Item code: 07.MRA.008

CUTE is the small replicated version of the adult shopping trolleys. You can support the development of your children's self-confidence and personality, by enabling them to shop on their own with CUTE, which is manufactured completely in accordance with child ergonomics.

Plastic Color Options

	Standard Color	RAL 3020
	Optional	RAL 2004

Capacity	22 lt.
Height (H)	630 mm
Width (D)	320 mm
Length (L)	460 mm



JUNIOR KIDS SHOPPING CAR

Item code: 07.MRA.009

JR helps kids enjoy shopping while offering a large capacity with its 100 liters basket. The additional central caster provide a comfortable and safe environment for these little shoppers.

With its seat and steering wheel, JR gives kids the real-feel of a car and keeps them safe with built-in seat belt.

Basket Volume	100 lt.
Max Load	80 kg.
Height (H)	1030 mm
Width (D)	580 mm
Length (L)	1515 mm
40"HC Container (pcs)	65



HANDLING EQUIPMENT

EASY-B SHOPPING TROLLEY

Item code: 07.MRA.010

Easily keep your eyes on your child with Easy-B Shopping Trolley. Providing a safe seat with a seat belt, Easy-B is designed for infants and kids between the ages of 6 months to 3 years. Easy-B offers a total volume of 47 liters, with a 25-liter upper basket and a lower space for a 22/28 liters hand basket.

Height (H)	1020 mm
Width (D)	630 mm
Length (L)	1180 mm
Upper Basket	25 lt.
Hand Basket (optional)	22 lt.
Seating Material	PE
Casters	100 mm TPE

Color Option

Chassis RAL 7024



EASY-B TWIN SHOPPING TROLLEY

Item code: 07.MRA.011

Does your customer have 2 kids or twins? With Easy-B Twin, you can ensure that they shop safely together with their kids. Easy-B Twin provides 2 individual safe and secure seats with seat belts for infants and kids between the ages of 6 months and 3 years, helping your customers do their shopping quickly while keeping an eye on their children.

Height (H)	1020 mm
Width (D)	630 mm
Length (L)	1060 mm
Hand Basket Volume (separate)	22 lt.
Seating Material	PE
Casters	100 mm TPE



PUSHCHAIR KIDS TROLLEY

Item code: 07.MRA.012

Designed for children between the ages of 3 and 7, Pushchair makes things easier for parents when they are visiting places like shops/stores, bus stations and airports as a family with small children.

PUSHCHAIR, provides convenience to parents, keeping their children comfortable and safe; thanks to its breathable special fabric and solid structure.

Height (H)	1000 mm
Width (D)	594 mm
Length (L)	750 mm
Max Load	30 lt.
Front Caster	Swivel 100 mm
Rear Caster	200 mm fix with brake
Nesting Distance	230 mm

Color Option

Chassis RAL 7024



HANDLING EQUIPMENT

K4 SERIES CARGO TROLLEYS

Item code: 07.YTA.001

The high capacity K-series cargo trolleys is an ideal solution to carry products from the back-warehouse to the store. It has 2 different size options. The small version K4S is suitable for a warehouse/store with small aisles or to be loaded in an elevator. A K-series cargo trolley is also used as a shopping trolley in large square meter wholesale stores, offering a silent comfort with its custom made rubber wheels. Configured with 2 swivel front wheels and 2 fixed rear wheels. Occupies minimum space in the store, thanks to its nesting design.

Color Options

Chassis	RAL 5010
Chassis	RAL 7046
Chassis	ZINC



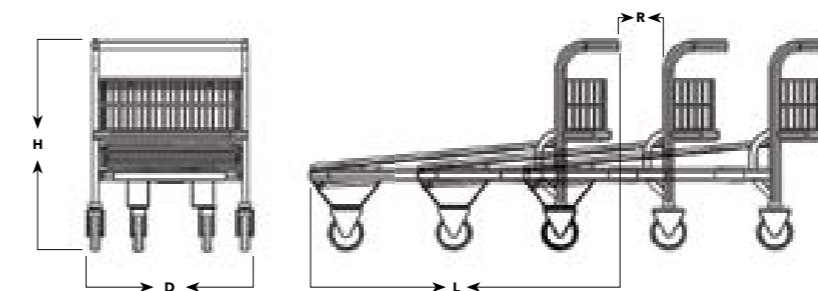
K5 SERIES CARGO TROLLEYS

Item code: 07.YTA.002

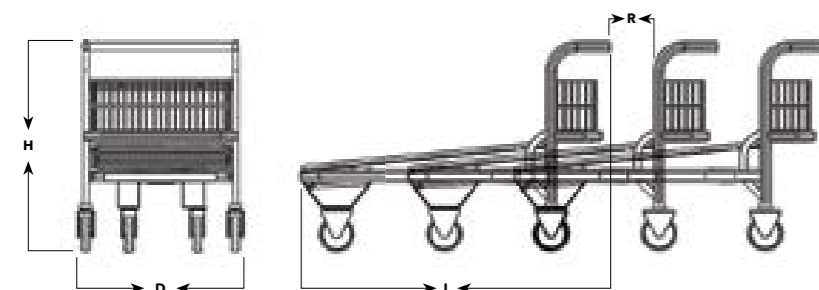
K5 cargo trolley is very similar to K4 series in structure. What differentiates K5 from K4 is the 4 swivel wheels (instead of 2) and the 5th wheel at the center of the trolley that gives K5 stability and comfort. K5 is the ideal solution if more maneuverability is needed when transporting goods from warehouse to the store. Ideal solution to be a "customer trolley" in DIY or wholesale stores.

Color Options

Chassis	RAL 5010
Chassis	RAL 7046
Chassis	ZINC



Max Load	450 kg.
Height (H)	950 mm
Width (D)	720 mm
Length (L)	1400 mm
Nesting Distance (R)	265 mm



	K4-S	K4-L
Max Load	300 kg.	450 kg.
Height (H)	950 mm	950 mm
Width (D)	610 mm	720 mm
Length (L)	1160 mm	1400 mm
Nesting Distance (R)	265 mm	265 mm

ACCESSORIES FOR K SERIES TROLLEYS



Coin Lock: Keep your trolleys in place with the optional coin lock installed on the handle of the trolley. This coin lock can be configured for all types of coins.

Item code: 07.YTA.002.01



Note Board: Suitable to be used for either your customers' shopping list or warehouse supervisor's products pick list.

Item code: 07.YTA.002.02

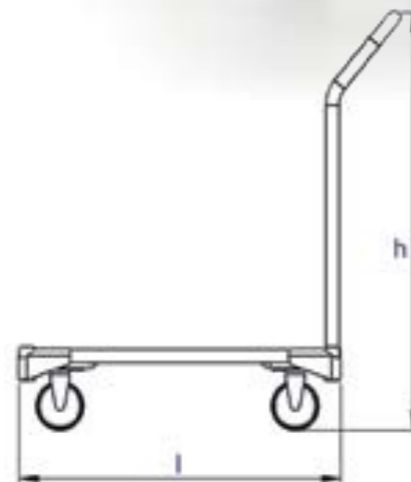
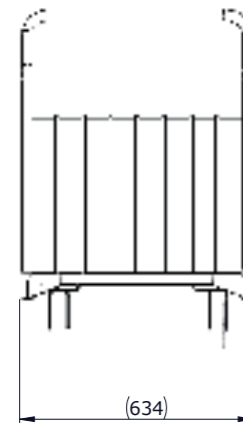
HANDLING EQUIPMENT

M SERIES CARGO TROLLEYS

Item code: 07.YTA.003

The best way to quickly transport boxed goods between the back-storage and the store is to use the M series cargo trolleys. With 2 alternative sizes, the M series cargo trolleys have 2 fixed and 2 swivel casters and a reversible handle which offers great ergonomics by giving the user 2 control options: pull or push. This removable handle also helps M series occupy minimum space in the warehouse when not in use.

	MS	ML
Max Load	200 kg.	250 kg.
Height (H)	890 mm	1050 mm
Width (D)	530 mm	650 mm
Length (L)	700 mm	950 mm



D 70 CARGO TROLLEY

Item code: 07.YTA.004

Fast, flexible and agile, the D 70 provides a comfortable and high capacity transport; thanks to its nesting design and the rear wire basket. High maneuverability with four moving wheels and high loading capacity of 200 kg.

Max Load	200 kg.
Height (H)	950 mm
Width (D)	540 mm
Length (L)	870 mm
Nesting Distance (R)	20 lt.
Basket Volume	285 mm



D 80 CARGO TROLLEY

Item code: 07.YTA.005

Easy to use like a shopping trolley, as strong as a warehouse trolley. With 150 kg loading capacity and 4 swivel casters, D 80 offers great value in carrying boxed and packed goods, especially in the DIY stores. Minimum space required when not in use, thanks to its backwards folding 42 liters basket and nestable design.

Max Load	150 kg.
Height (H)	950 mm
Width (D)	540 mm
Length (L)	870 mm
Basket Volume	42 lt.
Nesting Distance (R)	265 mm



HANDLING EQUIPMENT

4 SIDED SINGLE DOOR ROLL CONTAINER

Item code: 07.ROL.001

Max Load	400 kg.
Height (H)	1650 / 1850 mm
Width (D)	710 mm
Length (L)	810 mm

Extra safe with 4 sides closed.

50×50 mm spaced mesh frames at the sides prevents access to goods.

Single door can be locked.

Shelf is standard.

An optional top cover is available to fully secure the roll container.

Optional hanger for clothes.

TOP COVER MESH

Item code: 07.ROL.007

(d x l)

710 x 810 mm

HANGER TUBE

Item code: 07.ROL.008

(l)

710 mm



Standard casters: 125 mm polyamid PP coating casters are also available for softer floorings.

4 SIDED DOUBLE DOOR ROLL CONTAINER

Item code: 07.ROL.002

Max Load	400 kg.
Height (H)	1650 / 1850 mm
Width (D)	710 mm
Length (L)	810 mm

4 closed sides safe design.

50×50 mm spaced mesh frames at the sides prevents access to goods.

2 sided access with double doors.

Shelf is standard.

An optional top cover is available to fully secure the roll container.

Optional hanger for clothes.

Top Cover Mesh

Item code: 07.ROL.007

(d x l)

710 x 810 mm

Hanger Tube

Item code: 07.ROL.008

(d)

710 mm



Standard casters: 125 mm polyamid PP coating casters are also available for softer floorings.

HANDLING EQUIPMENT

2 SIDED ROLL CONTAINER

Item code: 07.ROL.003

Max Load	400 kg.
Height (H)	1650 / 1850 mm
Width (D)	710 mm
Length (L)	810 mm

Easy to load and unload with two sides open.

Optional belt for holding goods together.

2 sides can easily be dismantled.

Side wall height: 1.500 & 1.650 mm

Wire mesh space: 150×200 mm

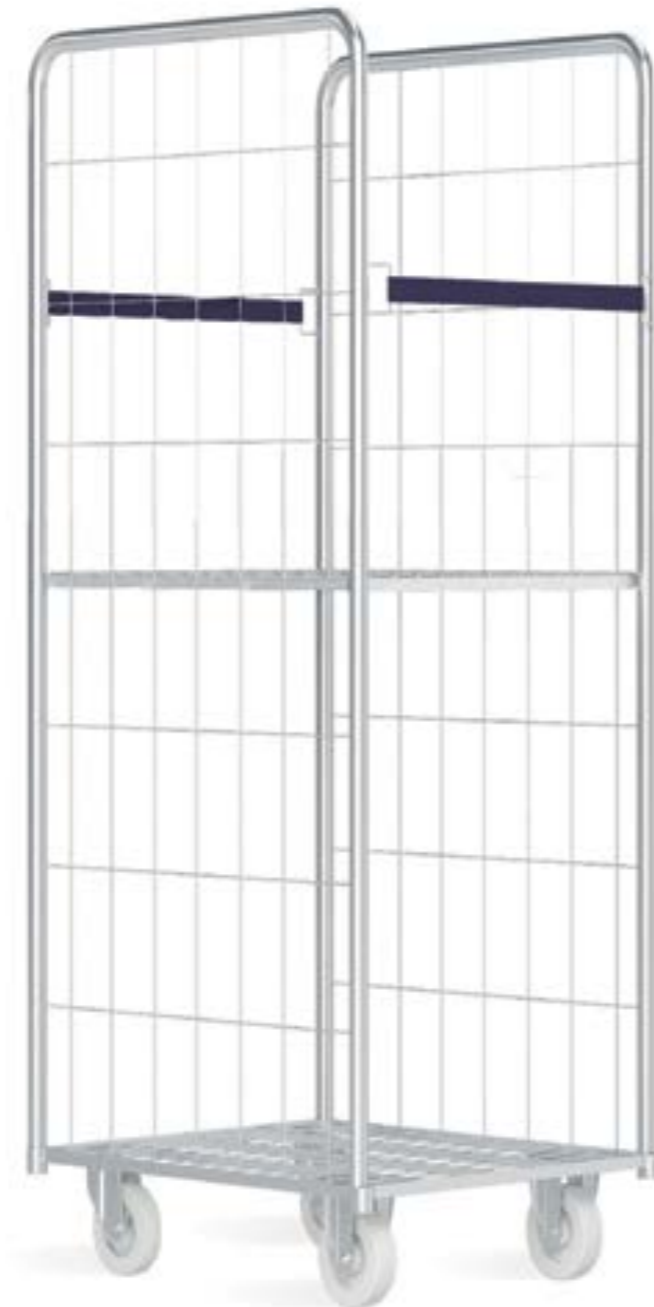
Shelf is optional.

ROLL SHELF

Item code: 07.ROL.009

(d x l)

710 x 810 mm



Standard casters: 125 mm polyamid PP coating casters are also available for softer floorings

3 SIDED ROLL CONTAINER

Item code: 07.ROL.004

Max Load	400 kg.
Height (H)	1650 / 1850 mm
Width (D)	710 mm
Length (L)	810 mm

Loading/Unloading is done from single side.

Optional belt on open side.

Three side walls can easily be dismantled.

Side wall height: 1.500 & 1.650 mm

Wire mesh space: 150×200 mm

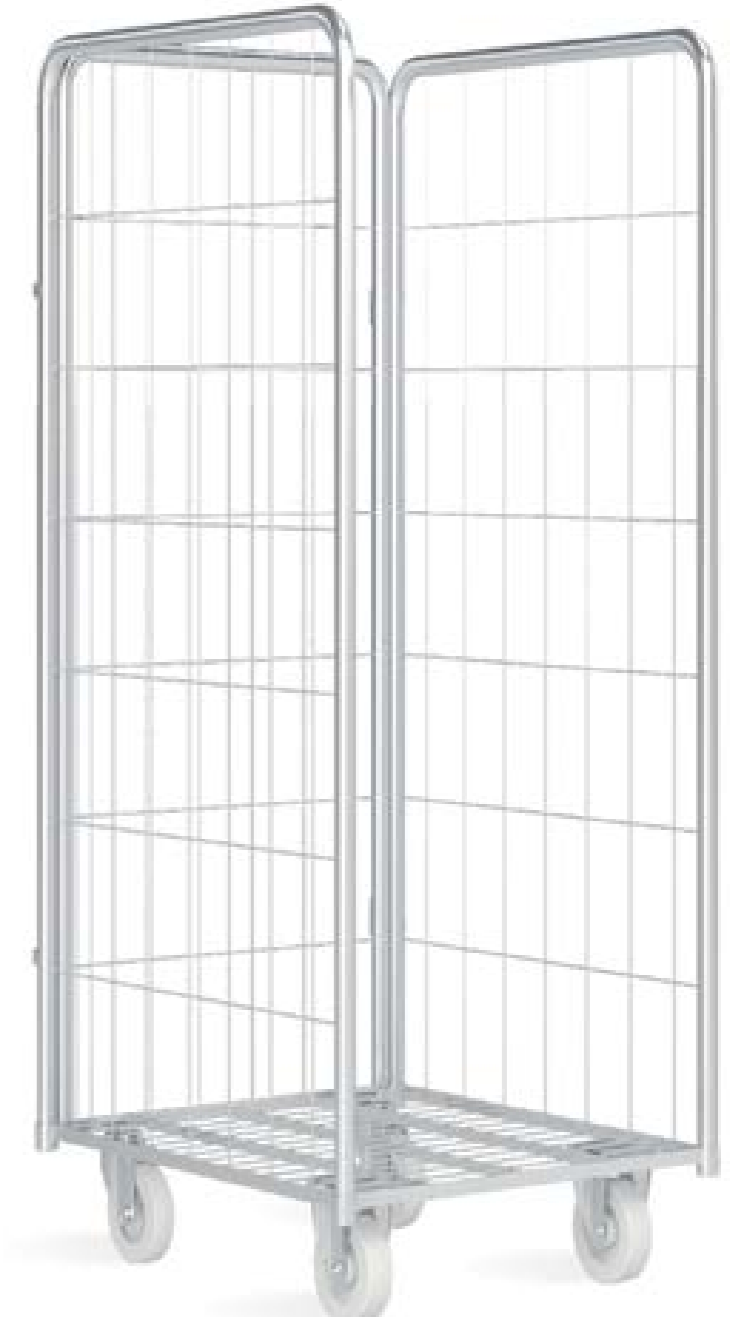
Shelf is optional.

Roll Shelf

Item code: 07.ROL.009

(d x l)

710 x 810 mm



Standard casters: 125 mm polyamid PP coating casters are also available for softer floorings

HANDLING EQUIPMENT

4 SIDED ROLL CONTAINER

Item code: 07.ROL.005

Max Load	400 kg.
Height (H)	1650 / 1850 mm
Width (D)	710 mm
Length (L)	810 mm

Maximum security when transporting goods.

Loading/Unloading is done by removing one side.

Four side walls can easily be dismantled.

Side wall height: 1.500 & 1.650 mm

Wire mesh space: 150×200 mm

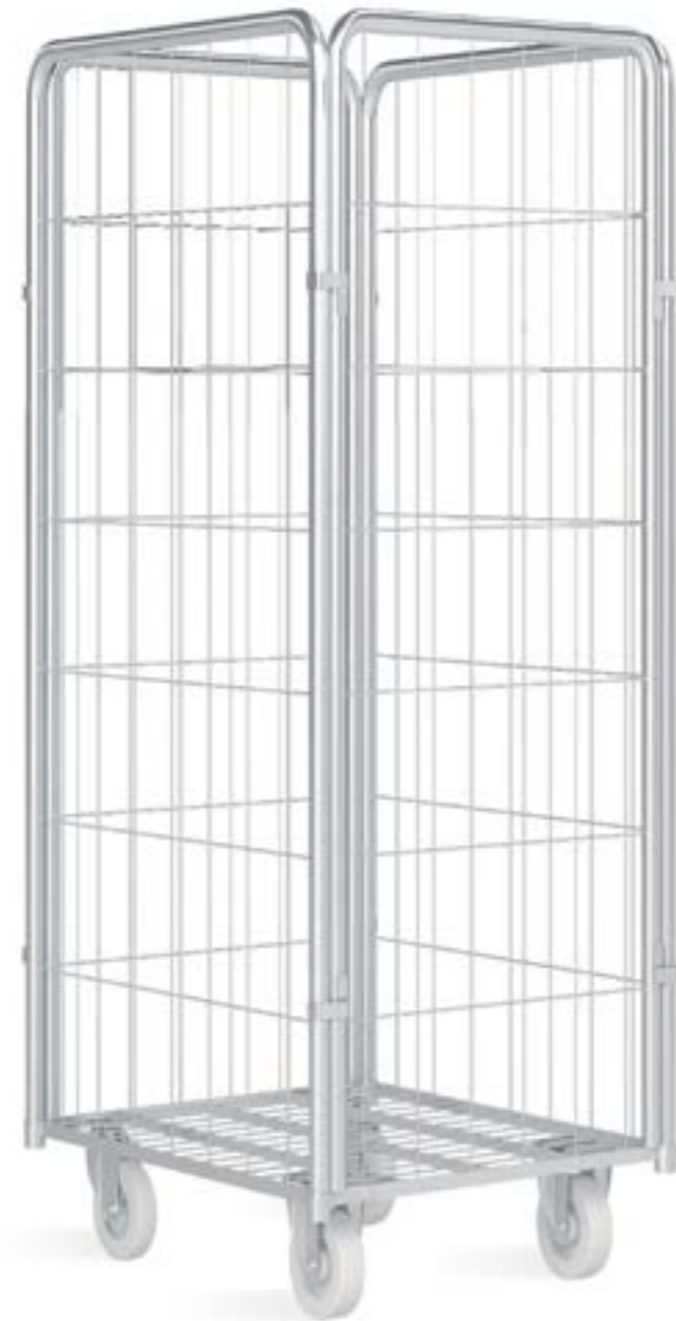
Shelf is optional.

ROLL SHELF

Item code: 07.ROL.009

(d x l)

710 x 810 mm



Standard casters: 125 mm polyamid PP coating casters are also available for softer floorings.

2 SIDED Z FRAME ROLL CONTAINER

Item code: 07.ROL.006

Max Load	400 kg
Height (H)	1850 mm
Width (D)	710 mm
Length (L)	810 mm

Ideal choice for forwarding goods from warehouse to store.

Nesting design Z frame allows the roll container to occupy minimum space when empty.

Side wall height: 1.650 & 1.800 mm

Wire mesh space: 150×200 mm

Shelf is optional.

Shelf can be folding not to prevent nesting.



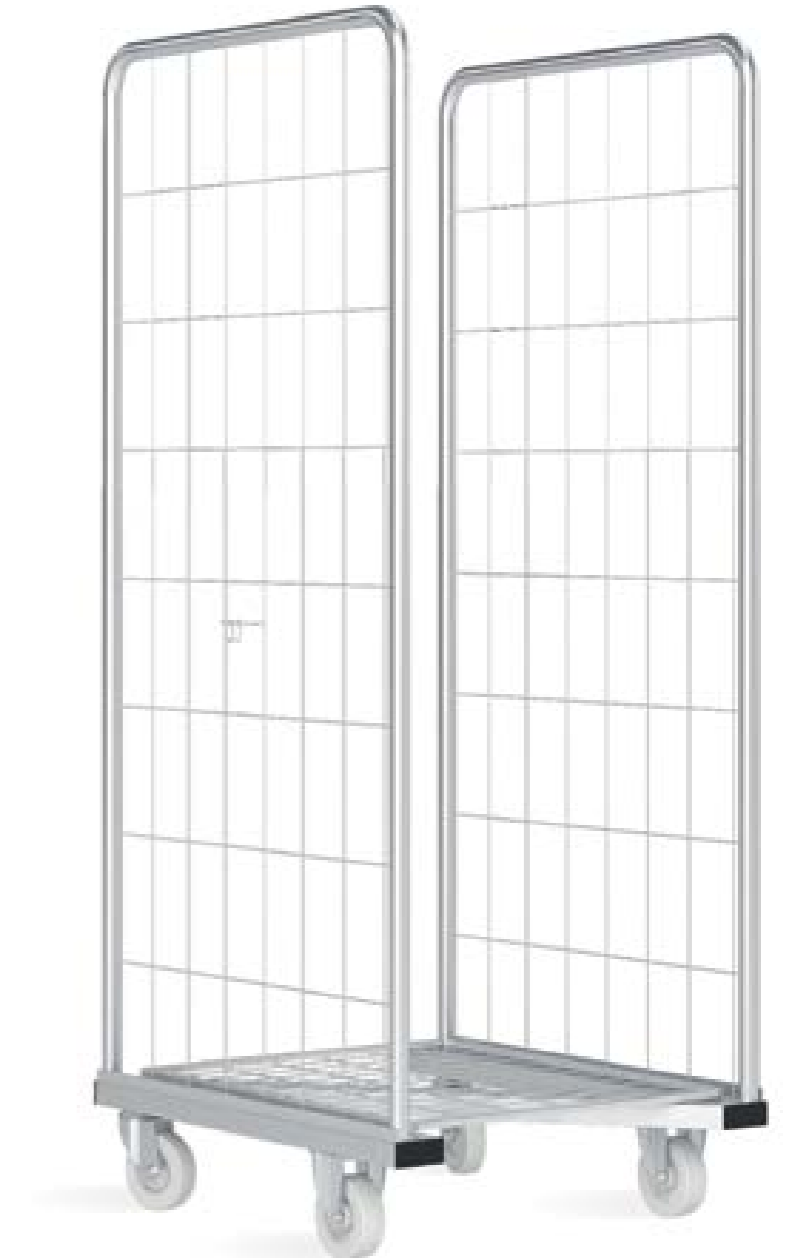
The base can fold up to the side to allow nesting.

Z ROLL SHELF

Item code: 07.ROL.010

(d x l)

710 x 810 mm



Standard casters: 125 mm polyamid PP coating casters are also available for softer floorings.



07

COMPLEMENTARY EQUIPMENT

The retailers and the consumers also need complementary equipment that makes things easier other than the main equipment of a store. Equipment like shopping baskets that add comfort to customers' shopping experience, barrier systems to ease the store entry and exit, safety cabinets and lockers for your customers and employees are all complementary equipment for your store.

COMPLEMENTARY EQUIPMENT

SNOWY WHEELED BASKET 50 LT.

Item code: 08.TMY.001

(h x d x l)

450 x 400x 570 mm

Front height : 435 mm
Handle height : 300 mm

Color Options

Red, Blue, Green, Black, Orange



RAINY WHEELED BASKET 70 LT.

Item code: 08.TMY.003

(h x d x l)

450 x 400x 570 mm

Front height : 400 mm

Color Options

Red, Blue, Green, Black, Orange



WINDY WHEELED BASKET 54 LT.

Item code: 08.TMY.002

(h x d x l)

425 x 350x 500 mm

Folding handles for lifting and pulling.

Color Options

Red, Blue, Green, Black, Orange



SHOPROLL WHEELED BASKET 65 LT.

Item code: 08.TMY.004

(h x d x l)

875 x 540 x 390 mm

2 x 50 mm. fixed wheels
2 x 30 mm. 360° swivel wheels

Front height : 435 mm
Handle height : 300 mm

Color Options

One-Color: Red, Green, Blue

Two-Color: Gray/blue, gray/green, gray/red, gray/yellow and gray/orange



COMPLEMENTARY EQUIPMENT

PLASTIC HAND BASKET 22 LT.

Item code: 08.TMY.005

(h x d x l)

225 x 300 x 425 mm

Color Options

Red, Blue, Green, Black, Orange



PLASTIC HAND BASKET 28 LT.

Item code: 08.TMY.006

(h x d x l)

250 x 335 x 490 mm

Color Options

Red, Blue, Green, Black, Orange



TRAVELATOR CASTERS

Item code: 08.TMY.007

Ø: 125 mm - 5" (inch)

Compatible with all travelators.



Coin Lock

Item code: 08.TMY.008

Can be configured to work with all coin types.



For shopping trolleys



Cargo trolleys

MECHANICAL SWING GATE

Item code: 08.TMY.009

(h x l)

1070 x 700 / 900 mm

Anti-panic system: In case of emergency, the gate can open in reverse direction.

Gate length can be adjusted between 700 - 900 mm.



LEAF SWING GATE

Item code: 08.TMY.010

(h x l)

1070 x 700 / 900 mm

Anti-panic system: In case of emergency, the gate can open in reverse direction.

Gate length can be adjusted between 700 - 900 mm.



ROTARY TURNSTILE

Item code: 08.TMY.011

(h x d x l)

1070 x 1200 x 1500 mm

Anti-panic system: In case of emergency, the gate can open in reverse direction.

Fully open door system for goods receipt.



COMPLEMENTARY EQUIPMENT

CRASH BAR HOLDER (ONE-WAY)

Item code: 08.TMY.012

(h x l)

175 x 77 mm

For Ø40 crash bar

Configured as "Right" and "Left".



CRASH BAR HOLDER (TWO-WAY)

Item code: 08.TMY.013

(h x l)

175 x 77 mm

For Ø40 crash bar



PARKING LOT CRASH BAR HOLDER (ONE-WAY)

Item code: 08.TMY.014

(h x d x l)

175 x 92 x 190 mm

For Ø51 crash bar

Configured as "Right" and "Left".



PARKING LOT CRASH BAR HOLDER (MIDDLE)

Item code: 08.TMY.015

(h x d x l)

175 x 92 x 190 mm

For Ø51 crash bar



PARKING LOT CRASH BAR HOLDER (TWO-WAY CORNER)

Item code: 08.TMY.016

(h x d x l)

175 x 92 x 190 mm

For Ø51 crash bar

Configured as "Right" and "Left".



PARKING LOT CRASH BAR HOLDER (THREE-WAY)

Item code: 08.TMY.017

(h x d x l)

175 x 92 x 190 mm

For Ø51 crash bar



CRASH BAR

Item code: 08.TMY.018

(l)

1000 mm

1250 mm

Coating

Chrome



PARKING LOT CRASH BAR

Item code: 08.TMY.019

(l)

1000 mm

1250 mm

Coating

Chrome - Stainless



END POST

Item code: 08.TMY.020

(h x l)

1070 x 190 mm

For Ø40 rails

Configured as "Right" and "Left".

Coating

Chrome



MIDDLE POST

Item code: 08.TMY.021

(h x l)

1070 x 190 mm

For Ø40 rails

Coating

Chrome



CORNER POST

Item code: 08.TMY.022

(h x l)

1070 x 190 mm

For Ø40 rails

Coating

Chrome



THREE-WAY POST

Item code: 08.TMY.023

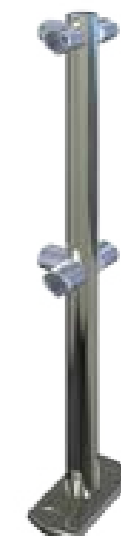
(h x l)

1070 x 190 mm

For Ø40 rails

Coating

Chrome



RAIL

Item code: 08.TMY.024

(l)

1000 mm

1250 mm

Coating

Chrome



COMPLEMENTARY EQUIPMENT

WALL STRIP BARRIER

Item code: 08.TMY.025

(h)

250 mm

Coating

Chrome - Powder coating

Strip length : 2000 / 2500 mm



STRIP BARRIER

Item code: 08.TMY.026

(h)

750 mm

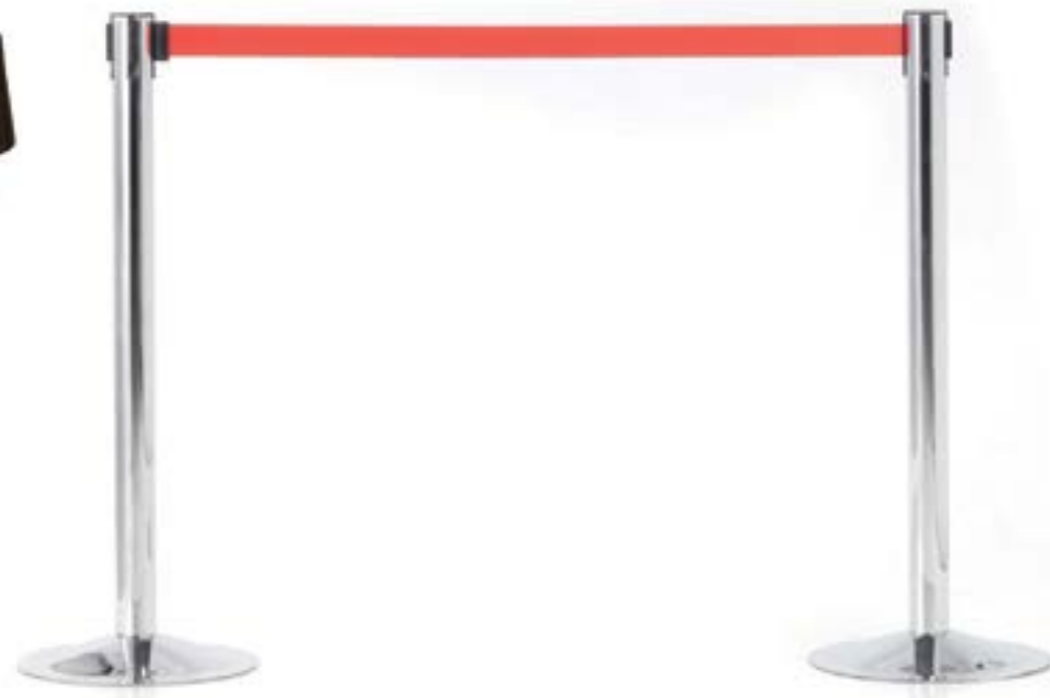
Coating

Chrome - Powder coating

Strip colors

Red, Blue

Strip length : 2000 / 3000 mm



METAL LOCKER

Item code: 08.TMY.027

(h x d x l)

1900 x 400 x 600 mm - 4 Doors

1900 x 400 x 800 mm - 4 Doors

1900 x 400 x 900 mm - 6 Doors

1900 x 400 x 1200 mm - 6 Doors

Color Options

Body : RAL 7035

Door : RAL 7035 - RAL 5015 - RAL 3020

Model

4 Doors

6 Doors



METAL SAFETY LOCKER

Item code: 08.TMY.028

(h x d x l)

2000 x 500 x 900 mm - 10 Doors

2000 x 500 x 1200 mm - 15 Doors

Color Options

Body : RAL 7035

Door : RAL 7035 - RAL 5015 - RAL 3020

Model

10 Doors

15 Doors



STAFF LOCKER

Item code: 08.TMY.029

(h x d x l)

1900 x 450 x 1000 mm

Double sided cylinder locking mechanism

Color Options

Body: RAL 7035

Door: RAL 7035, RAL 5015, RAL 3020





✉ info@wizardretailsolutions.com

🌐 www.wizardretailsolutions.com

☎ **+90 533 214 32 83**

Wizard Market ve Depo Ekipmanları

Gıda San. Dış. Tic. Ltd. Şti.



Yalı Mah. Bağlar Cad. Konfor Sok.

No: 21/4 Kartal 34862 İstanbul, Türkiye

WIZARD
— RETAIL & TRADING